



## RENAULT TRAFFIC L2H2

### raaco van equipment is Danish first class quality and design!

raaco van equipment is made of lightweight aluminium and is built up from a variety of flexible modules, which are easily installed in the van. You can choose between raaco standard modules or a customized solution, which is made to suit your exact needs.

A wide range of bins and assortment boxes are available for each module, made from robust, high grade plastic. The system gives you a quick overview and direct access to the contents, so you can work effectively throughout the day.

With raaco van equipment you get a robust, durable solution for your mobile workplace.



### MODEL AS15 – alternative

- Content: 3 pcs. 4-800
- 42 pcs. 5-600
- 5 pcs. 6-1100
- 11 pcs. 8-2000
- 4 pcs. Bins
- 3 pcs. Perforated panels

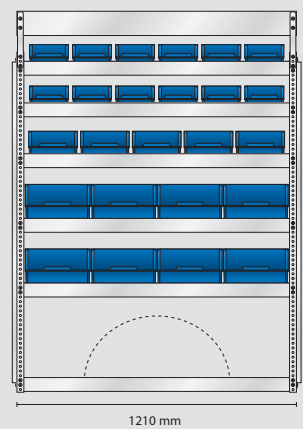
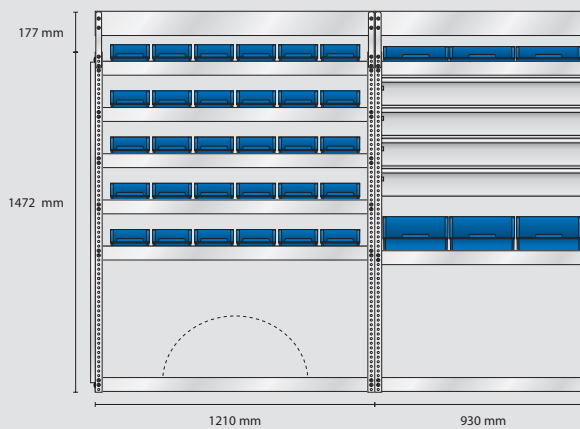
Total weight: 133,4 kg

Total EAN: 182386

S65 weight 42,7 kg

S75 weight 42,7 kg

S76 weight 48,3 kg



### MODEL AS16 – alternative

- Content: 3 pcs. Perforated panels

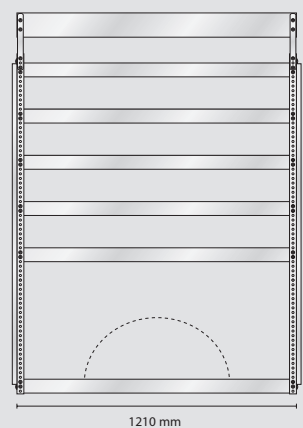
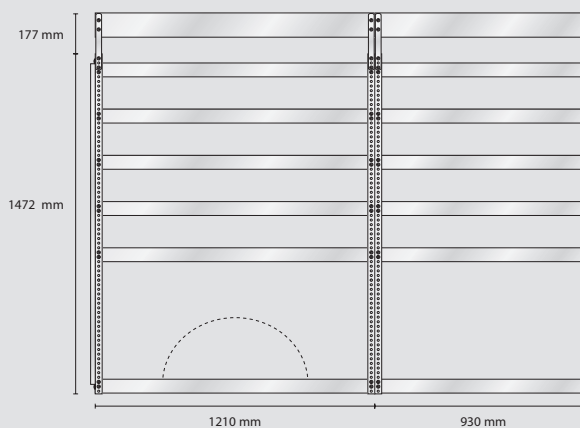
Total weight: 87,5 kg

Total EAN: 182393

S77 weight 30,7 kg

S78 weight 24,6 kg

S123 weight 32,5 kg



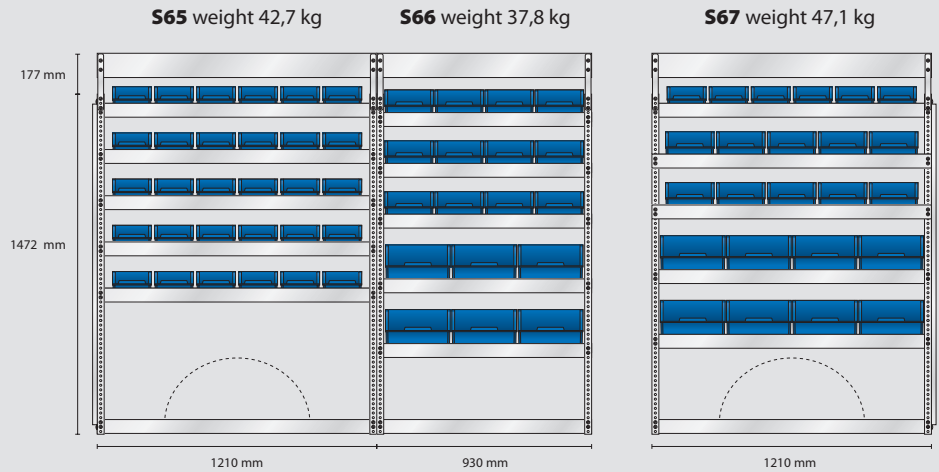
## RENAULT TRAFFIC L2H2

### MODEL SS8 – standard

Content: 36 pcs. 5-600  
 22 pcs. 6-1100  
 14 pcs. 8-2000  
 2 pcs. Perforated panels

Total weight: 127,3 kg

Total EAN: 182355

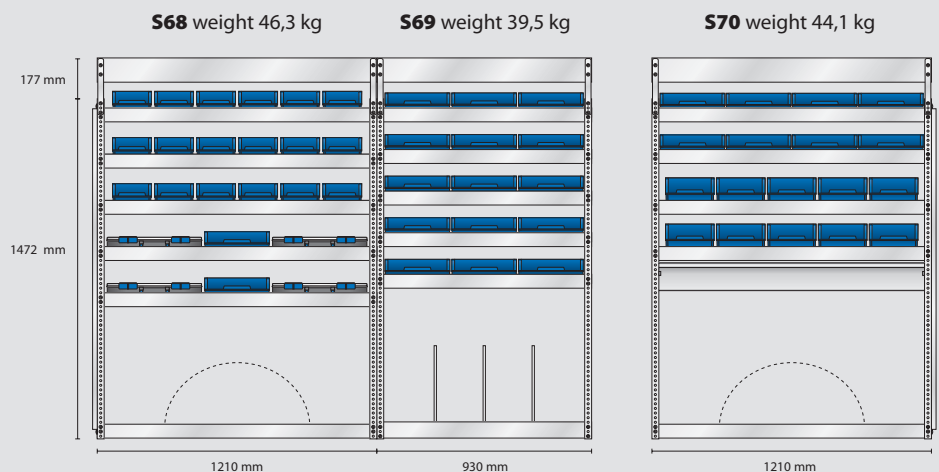


### MODEL ES8 – electrician

Content: 25 pcs. 4-800  
 18 pcs. 5-600  
 10 pcs. 6-1100  
 4 pcs. CarryLite 80-15  
 1 pcs. Bin  
 2 pcs. Perforated panels

Total weight: 129,6 kg

Total EAN: 182362



### MODEL VS8 – plumber

Content: 49 pcs. 4-800  
 4 pcs. CarryLite 80-15  
 1 pcs. Bin  
 2 pcs. Perforated panels

Total weight: 127,2 kg

Total EAN: 182379

