



FORD TRANSIT L2H2

raaco van equipment is Danish first class quality and design!

raaco van equipment is made of lightweight aluminium and is built up from a variety of flexible modules, which are easily installed in the van. You can choose between raaco standard modules or a customized solution, which is made to suit your exact needs.

A wide range of bins and assortment boxes are available for each module, made from robust, high grade plastic. The system gives you a quick overview and direct access to the contents, so you can work effectively throughout the day.

With raaco van equipment you get a robust, durable solution for your mobile workplace.



MODEL AS21 – alternative

- Content: 8 pcs. 4-800
- 42 pcs. 5-600
- 5 pcs. 6-1100
- 12 pcs. 8-2000
- 3 pcs. Bins
- 3 pcs. Perforated panels

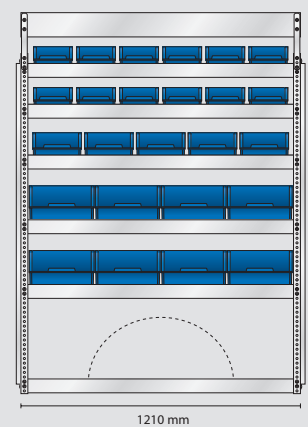
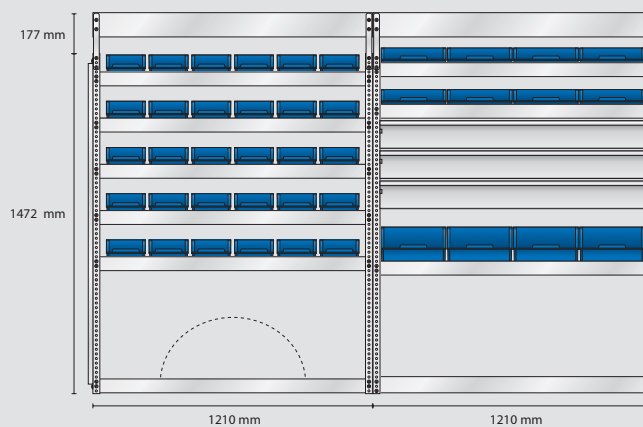
Total weight: 137 kg

Total EAN: 182539

S74 weight 40,7 kg

S90 weight 48,3 kg

S76 weight 48,3 kg



MODEL AS22 – alternative

- Content: 3 pcs. Perforated panels

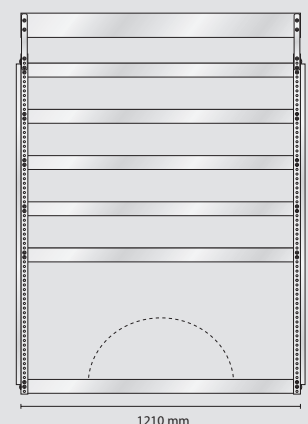
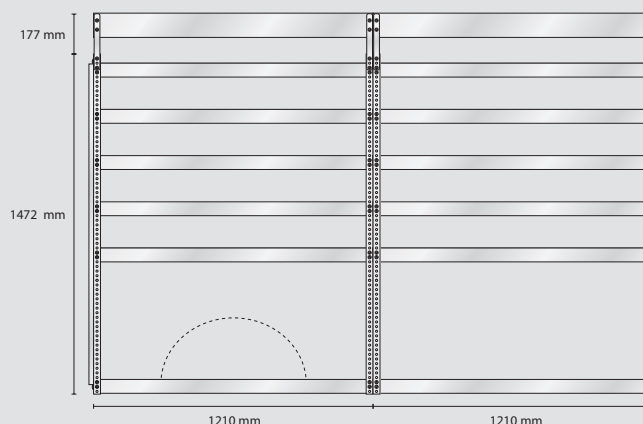
Total weight: 91,8 kg

Total EAN: 182546

S77 weight 30,7 kg

S146 weight 28,9 kg

S123 weight 32,5 kg



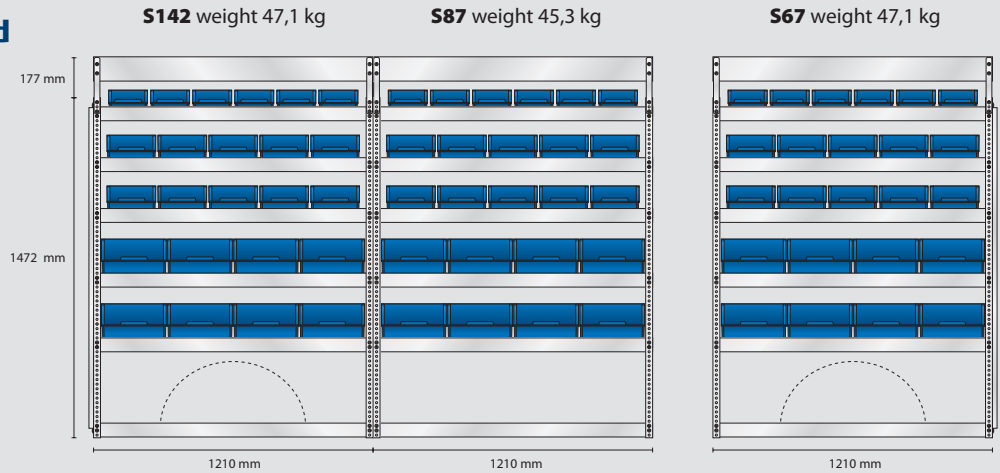
FORD TRANSIT L2H2

MODEL SS11 – standard

Content: 18 pcs. 5-600
 30 pcs. 6-1100
 24 pcs. 8-2000
 2 pcs. Perforated panels

Total weight: 139,2 kg

Total EAN: 182508

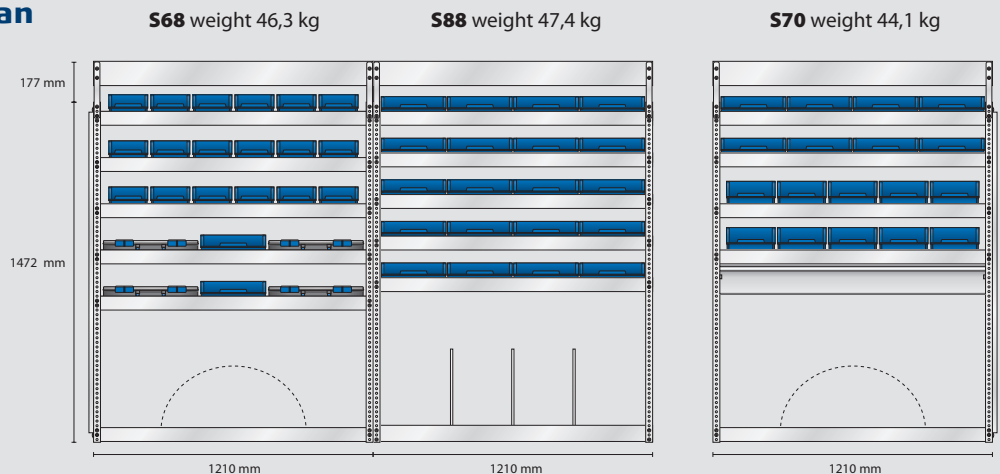


MODEL ES11 – electrician

Content: 30 pcs. 4-800
 18 pcs. 5-600
 10 pcs. 6-1100
 4 pcs. CarryLite 80-15
 1 pcs. Bin
 2 pcs. Perforated panels

Total weight: 137,5 kg

Total EAN: 182515



MODEL VS11 – plumber

Content: 46 pcs. 4-800
 8 pcs. 8-2000
 4 pcs. CarryLite 80-15
 1 pcs. Bin
 2 pcs. Perforated panels

Total weight: 138,2 kg

Total EAN: 182522

