

FORD CUSTOM L1H1

raaco van equipment is Danish first class quality and design!

raaco van equipment is made of lightweight aluminium and is built up from a variety of flexible modules, which are easily installed in the van. You can choose between raaco standard modules or a customized solution, which is made to suit your exact needs.

A wide range of bins and assortment boxes are available for each module, made from robust, high grade plastic. The system gives you a quick overview and direct access to the contents, so you can work effectively throughout the day.

With raaco van equipment you get a robust, durable solution for your mobile workplace.



MODEL AS11 – alternative

Content: 11 pcs. 4-800
 18 pcs. 5-600
 4 pcs. 8-2000
 3 pcs. Bins
 3 pcs. Perforated panels

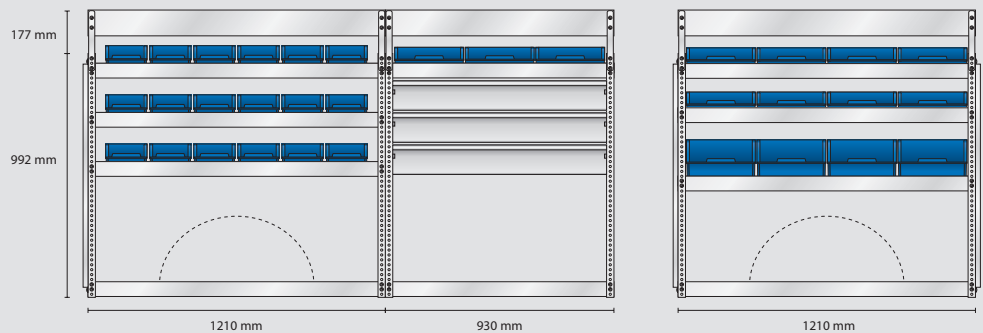
Total weight: 90,8 kg

Total EAN: 182287

S58 weight 28,9 kg

S39 weight 30,3 kg

S130 weight 31,9 kg



MODEL AS12 – alternative

Content: 3 pcs. Perforated panels

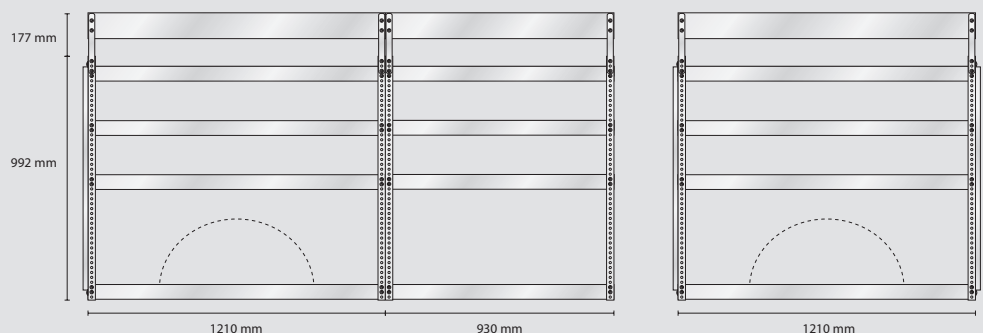
Total weight: 61,9 kg

Total EAN: 182294

S59 weight 21,7 kg

S126 weight 17,4 kg

S131 weight 23,1 kg



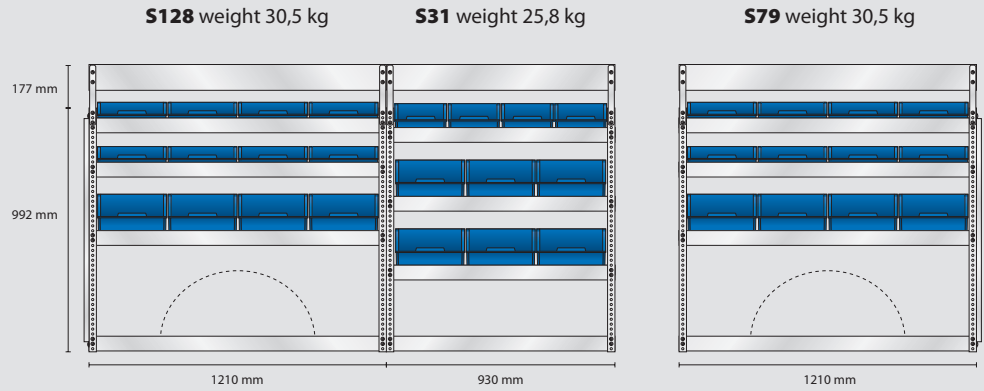
FORD CUSTOM L1H1

MODEL SS6 – standard

Content: 16 pcs. 4-800
 4 pcs. 6-1100
 14 pcs. 8-2000
 2 pcs. Perforated panels

Total weight: 86,5 kg

Total EAN: 182256

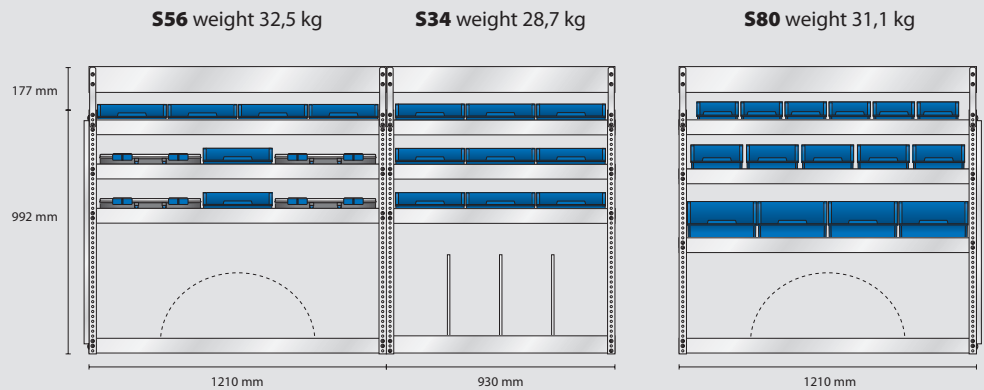


MODEL ES6 – electrician

Content: 15 pcs. 4-800
 6 pcs. 5-600
 5 pcs. 6-1100
 4 pcs. 8-2000
 4 pcs. CarryLite 80-15
 2 pcs. Perforated panels

Total weight: 91,4 kg

Total EAN: 182263



MODEL VS6 – plumber

Content: 29 pcs. 4-800
 2 pcs. CarryLite 80-15
 1 pcs. Bin
 2 pcs. Perforated panels

Total weight: 86,2 kg

Total EAN: 182270

