



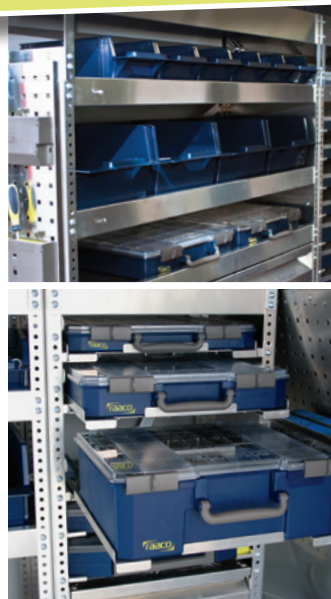
FORD CONNECT L2

raaco van equipment is Danish first class quality and design!

raaco van equipment is made of lightweight aluminium and is built up from a variety of flexible modules, which are easily installed in the van. You can choose between raaco standard modules or a customized solution, which is made to suit your exact needs.

A wide range of bins and assortment boxes are available for each module, made from robust, high grade plastic. The system gives you a quick overview and direct access to the contents, so you can work effectively throughout the day.

With raaco van equipment you get a robust, durable solution for your mobile workplace.



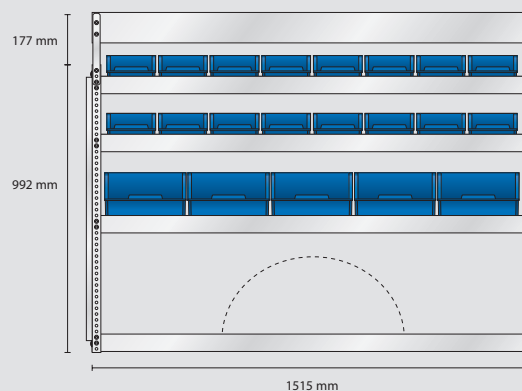
MODEL AS5 – alternative

- Content: 21 pcs. 5-600
- 4 pcs. 6-1100
- 5 pcs. 8-2000
- 2 pcs. Bins
- 3 pcs. Perforated panels

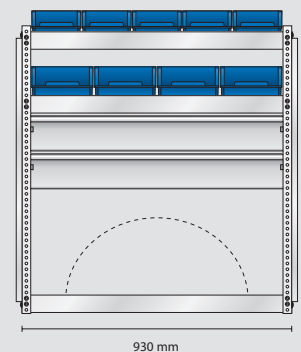
Total weight: 66,3 kg

Total EAN: 182133

S20 weight 36 kg



S27 weight 30,3 kg



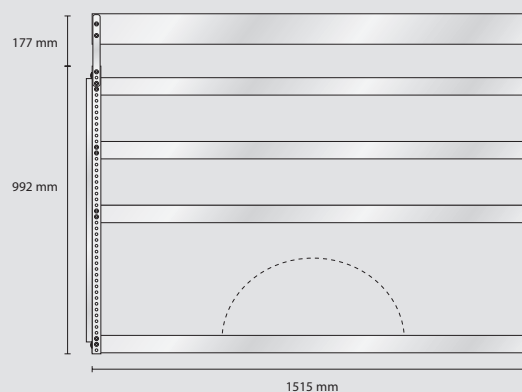
MODEL AS6 – alternative

- Content: 3 pcs. Perforated panels

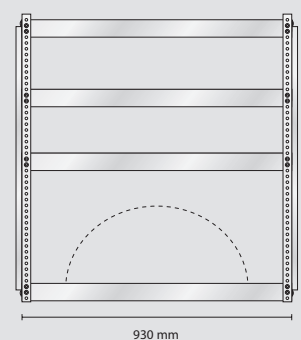
Total weight: 42,2 kg

Total EAN: 182140

S28 weight 24,6 kg



S29 weight 17,6 kg



FORD CONNECT L2

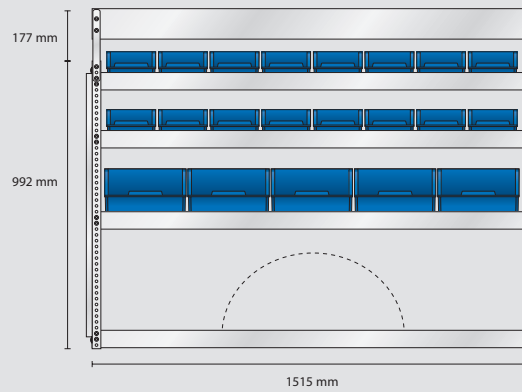
MODEL SS3 – standard

Content: 21 pcs. 5-600
 4 pcs. 6-1100
 8 pcs. 8-2000
 2 pcs. Perforated panels

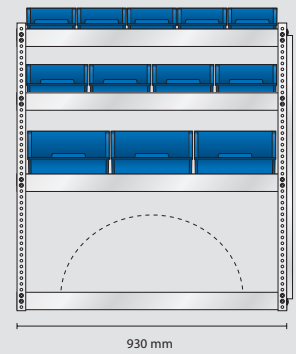
Total weight: 59,6 kg

Total EAN: 182102

S20 weight 36 kg



S21 weight 23,6 kg



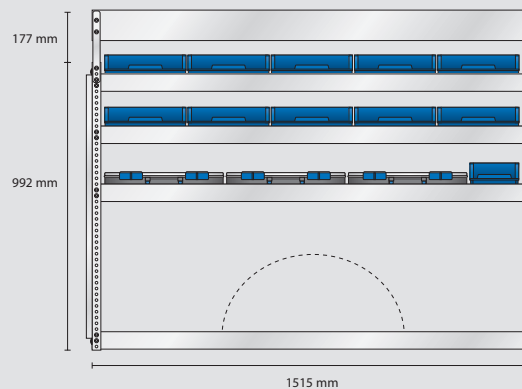
MODEL ES3 – electrician

Content: 10 pcs. 4-800
 6 pcs. 5-600
 4 pcs. 6-1100
 5 pcs. CarryLite 80-15
 2 pcs. Perforated panels

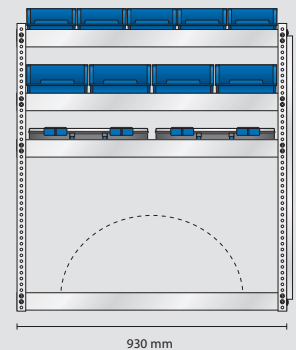
Total weight: 60,6 kg

Total EAN: 182119

S22 weight 36,4 kg



S23 weight 24,2 kg



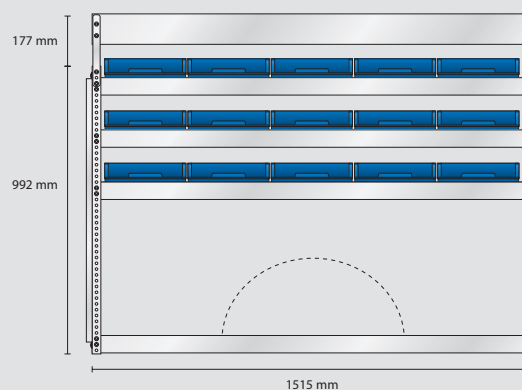
MODEL VS3 – plumber

Content: 24 pcs. 4-800
 1 pcs. Bin
 2 pcs. Perforated panels

Total weight: 60,1 kg

Total EAN: 182126

S24 weight 33,6 kg



S25 weight 26,5 kg

