

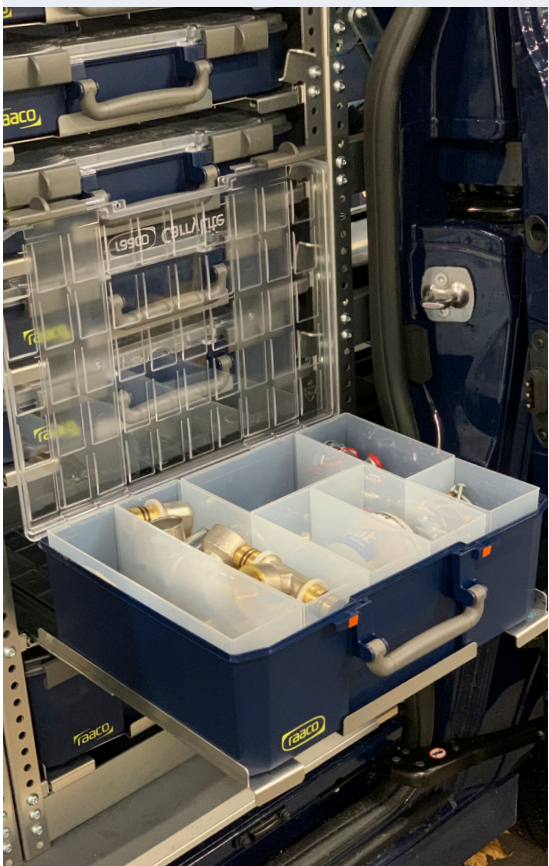


VAN EQUIPMENT

The perfect solution
for a mobile workspace!

VAN EQUIPMENT IN DANISH QUALITY

FLEXIBLE - DURABLE - ECONOMIC



MODEL OVERVIEW

Find your specific van in the overview. Look up on the summary page for your van. Which specific needs do you have for storage in your van? Do you have a lot of small items, choose set or modules containing 4-800 shelf drawers. Do you need to store many medium or large sized items, therefore choose the bigger shelf drawers such as 6-1100 and 8-2000.

In the model overview for your specific van, you will find easy instructions for the equipment, matching your needs.

The overview and the interior design suggestions are based on a range of standard modules with the abbreviation SS.

SS – Standard system is universal and covers most needs for storage in the mobile workshop

ES – EL-System is a standard module customized for the electrician

VS – VVS-system is a standard module customized for the plumber

AS – Alternative System is developed for the craftsman, who needs a great number of drawers or without boxes and drawers.

But - with raaco van equipment you are not tied to pick "a standard solution". If the standard systems do not match your needs, you are free to choose single modules or to customize your very own solution which matches your specific needs.

CITROËN PAGE

Berlingo - L1	6
Berlingo - L2	10
Jumpy - L2 (M)	12
Jumpy - L3 (XL)	18
Jumper - L1/H1	20
Jumper - L2/H2	28
Jumper - L3/H2	34

DACIA

Dokker - L1	6
-------------	---

FIAT

Doblò - L1	6
Doblò - L2	10
Fiorino - L1	8
Talento - L1/H1	14
Talento - L2/H1	18
Ducato - L1/H1	20
Ducato - L2/H1	26
Ducato - L2/H2	28
Ducato - L3/H2	34

FORD

Connect - L1	6
Connect - L2	10
Courier - L1	8
Custom - L1/H1	14
Custom - L1/H2	16
Custom - L2/H1	24
Custom - L2/H2	20
Transit 2T - L2/H2	28
Transit 2T - L2/H3	28
Transit 2T - L3/H2	30
Transit 2T - L3/H3	30
Transit 2T- L4/H3	38

IVECO

Daily - 9m ³ - L2/H1	26
Daily - 10,8 m ³ - L2/H2	30
Daily - 12 m ³ - L3/H2	34
Daily - 13,4 m ³ - L3/H3	36

MAN

TGE - L3/H3	30
TGE - L4/H3	38
TGE - L5/H3	38

MERCEDES

Citan - L1	6
Vito - L1	12
Vito - L2	14
Vito - L3	24
Sprinter - L1/H1	20
Sprinter - L1/H2	22
Sprinter - L2/H1	32
Sprinter - L2/H2	34
Sprinter - L3/H2	37
Sprinter - L3/H3	38
Sprinter - L4/H2	37
Sprinter - L4/H3	38

NISSAN

Townstar - L1	6
Primastar - L1	12
Primastar - L2	18
Interstar - L1/H1	16
Interstar - L1/H2	16
Interstar - L2/H2	28
Interstar - L3/H2	34

OPEL

Combo - L1	6
Combo - L2	10
Vivaro - L1	10
Vivaro - L2	12
Vivaro - L3	18
Movano - L1/H1	20
Movano - L2/H1	26
Movano - L2/H2	28
Movano - L3/H2	34
Movano - L3/H3	36

PEUGEOT

Partner - L1 (M)	6
Partner - L2 (XL)	10
Expert - L2 (M)	12
Expert - L3 (XL)	18
Boxer - L1/H1	20
Boxer - L2/H1	26
Boxer - L2/H2	28
Boxer - L3/H2	34

RENAULT

Kangoo - L1	6
Kangoo Maxi - L2	10
Traffic - L1/H1	14
Traffic - L2/H1	18
Master - L1/H1	16
Master - L1/H2	16
Master - L2/H2	28
Master - L2/H3	28
Master - L3/H2	34
Master - L3/H3	34

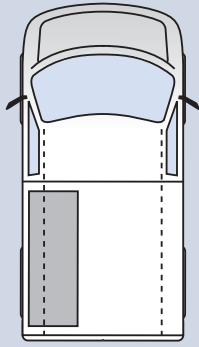
TOYOTA

ProAce City - L1	6
ProAce City - L2	10
Proace - L1	10
ProAce - L2	12
ProAce - L3	18

VOLKSWAGEN

ID Buzz - L1	10
Caddy - L1	6
Caddy Maxi - L2	10
Transporter - L1/H1	12
Transporter - L1/H2	12
Transporter - L2/H1	24
Transporter - L2/H2	24
Crafter - L3/H2	26
Crafter - L3/H3	30
Crafter - L4/H3	37
Crafter - L5/H3	37





The shelving position in the van

The depth of all modules is 380 mm.
Adjustment of end walls may be necessary.

Fits the following models

- Citroën Berlingo L1
- Dacia Dokker L1
- Fiat Doblo L1
- Ford Connect L1
- Mercedes Citan L1
- Nissan Townstar L1
- Opel Combo L1
- Peugeot Partner L1 (M)
- Renault Kangoo L1
- Toyota Proace City L1
- Volkswagen Caddy L1

MODEL S7 – alternative

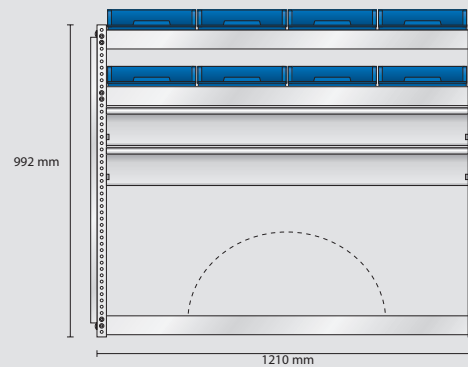
Unassembled EAN: 187060

Assembled EAN: 183062

Content: 8 pcs. Shelf bin 4-800
2 pcs. Alu drawers
1 pcs. Perforated panel

Total weight: 32,1 kg

S7 weight 32,1 kg



Unassembled EAN: 187060

Assembled EAN: 183062

S9 weight 18,5 kg

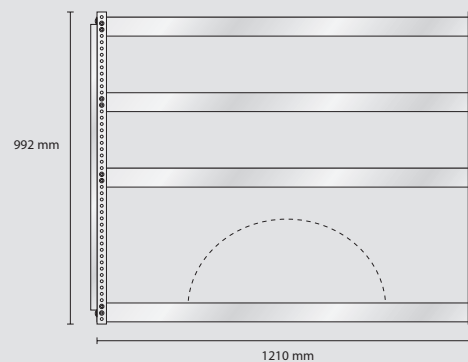
MODEL S9 – alternative

Unassembled EAN: 187084

Assembled EAN: 183086

Content: 1 pcs. Perforated panel

Total weight: 18,5 kg



Unassembled EAN: 187084

Assembled EAN: 183086

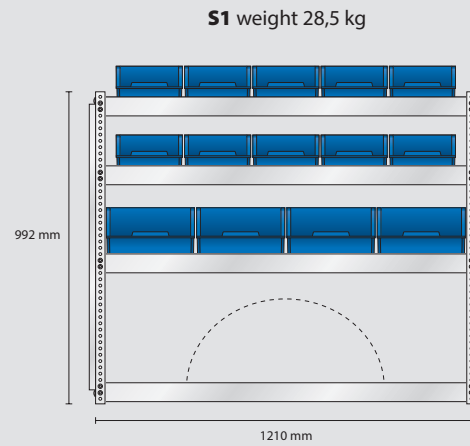
MODEL S1 – standard

Unassembled EAN: 187008

Assembled EAN: 183000

Content: 10 pcs. Shelf bin 6-1100
4 pcs. Shelf bin 8-2000
1 pcs. Perforated panel

Total weight: 28,5 kg



Unassembled EAN: 187008

Assembled EAN: 183000

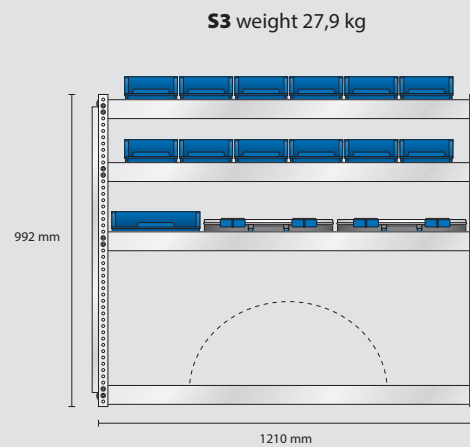
MODEL S3 – electrician

Unassembled EAN: 187022

Assembled EAN: 183024

Content: 1 pcs. Shelf bin 4-800
12 pcs. Shelf bin 5-600
2 pcs. CarryLite 80-15
1 pcs. Perforated panel

Total weight: 27,9 kg



Unassembled EAN: 187022

Assembled EAN: 183024

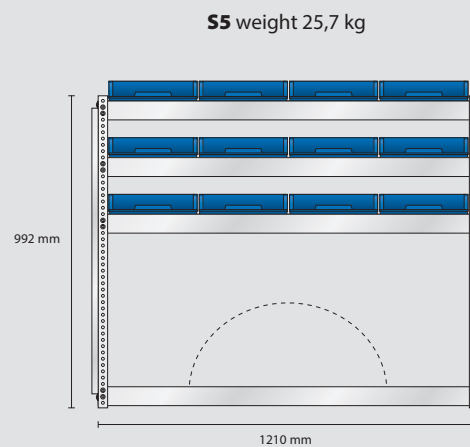
MODEL S5 – plumber

Unassembled EAN: 187046

Assembled EAN: 183048

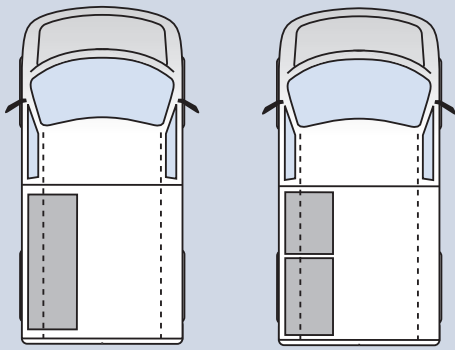
Content: 12 pcs. Shelf bin 4-800
1 pcs. Perforated panel

Total weight: 25,7 kg



Unassembled EAN: 187046

Assembled EAN: 183048



The shelving position in the van

The depth of all modules is 380 mm.
Adjustment of end walls may be necessary.

Fits the following models

- Fiat Fiorino L1
- Ford Courier L1

MODEL S218 – alternative

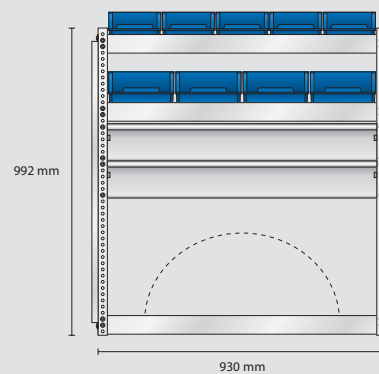
Unassembled EAN: 189583

Assembled EAN: 189606

Content: 5 pcs. Shelf bin 5-600
4 pcs. Shelf bin 6-1100
2 pcs. Alu drawers
1 pcs. Perforated panel

Total weight: 28,9 kg

S218 weight 28,9 kg



Unassembled EAN: 189583

Assembled EAN: 189606

MODEL S219 – alternative

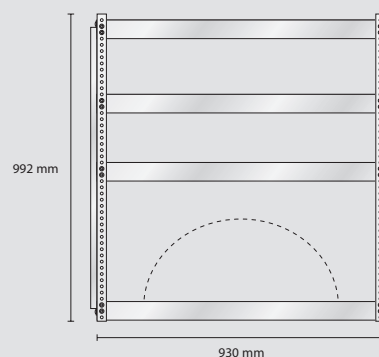
Unassembled EAN: 189590

Assembled EAN: 189613

Content: 1 pcs. Perforated panel

Total weight: 16,2 kg

S219 weight 16,2 kg



Unassembled EAN: 189590

Assembled EAN: 189613

MODEL SS39 – standard

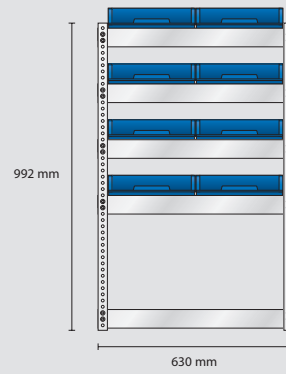
Unassembled EAN: 189521

Assembled EAN: 189538

Content: 8 pcs. Shelf bin 4-800
1 pcs. CarryLite 55-25/2
5 pcs. CarryLite 80-15
1 pcs. CarryLite 150-9

Total weight: 44,3 kg

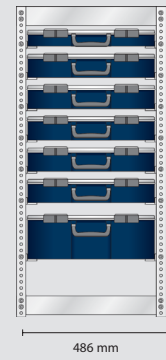
S6 weight 18,7 kg



Unassembled EAN: 187053

Assembled EAN: 183055

S292 weight 25,6 kg



Unassembled EAN: 185752

Assembled EAN: 188708

MODEL ES40 – electrician

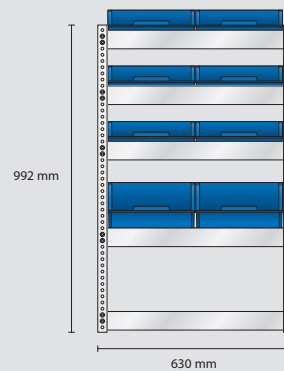
Unassembled EAN: 189545

Assembled EAN: 189552

Content: 6 pcs. Shelf bin 4-800
2 pcs. Shelf bin 8-2000
1 pcs. CarryLite 55-25/2
5 pcs. CarryLite 80-15
1 pcs. CarryLite 150-9

Total weight: 45,1 kg

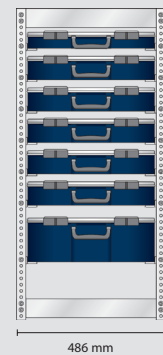
S4 weight 19,5 kg



Unassembled EAN: 187039

Assembled EAN: 183031

S292 weight 25,6 kg



Unassembled EAN: 185752

Assembled EAN: 188708

MODEL VS41 – plumber

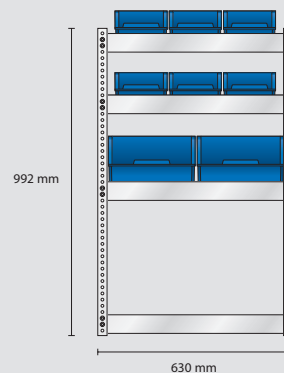
Unassembled EAN: 189569

Assembled EAN: 189576

Content: 6 pcs. Shelf bin 5-600
2 pcs. Shelf bin 8-2000
1 pcs. CarryLite 55-25/2
5 pcs. CarryLite 80-15
1 pcs. CarryLite 150-9

Total weight: 42,5 kg

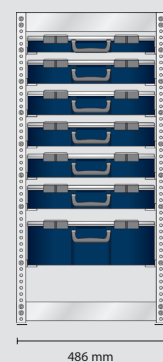
S2 weight 16,9 kg



Unassembled EAN: 187015

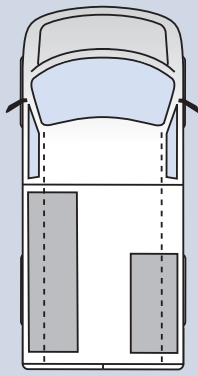
Assembled EAN: 183017

S292 weight 25,6 kg



Unassembled EAN: 185752

Assembled EAN: 188708



The shelving position in the van

The depth of all modules is 380 mm.
Adjustment of end walls may be necessary.

Fits the following models

- Citroën Berlingo L2
- Fiat Doblo L2
- Ford Connect L2
- Opel Combo L2
- Opel Vivaro L1
- Peugeot Partner L2 (XL)
- Renault Kangoo Maxi L2
- Toyota Proace City L2
- Toyota Proace L1
- Volkswagen ID Buzz L1
- Volkswagen Caddy Maxi L2

MODEL AS5 – alternative

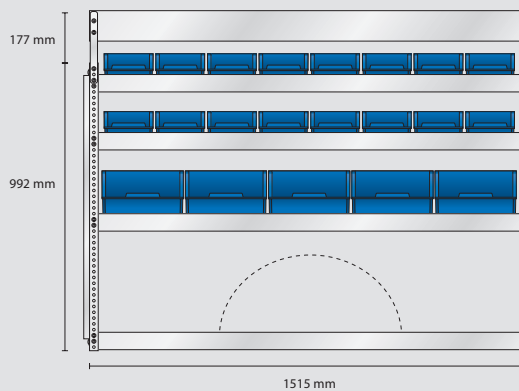
Unassembled EAN: 186131

Assembled EAN: 182133

Content: 21 pcs. Shelf bin 5-600
4 pcs. Shelf bin 6-1100
5 pcs. Shelf bin 8-2000
2 pcs. Alu drawers
3 pcs. Perforated panels

Total weight: 66,3 kg

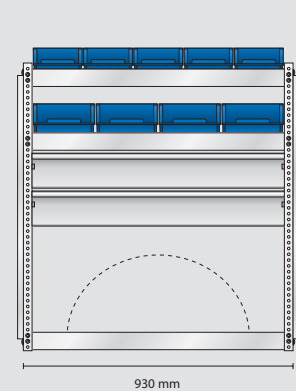
S20 weight 36 kg



Unassembled EAN: 187169

Assembled EAN: 183161

S27 weight 30,3 kg



Unassembled EAN: 187268

Assembled EAN: 183260

MODEL AS6 – alternative

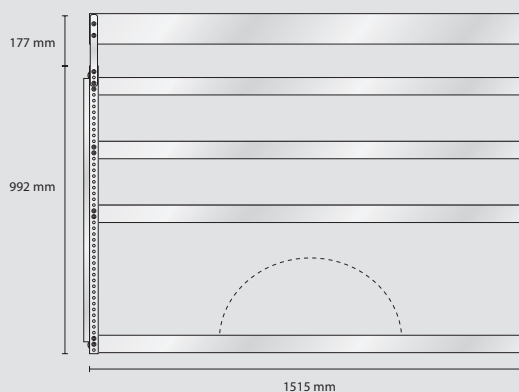
Unassembled EAN: 186148

Assembled EAN: 182140

Content: 3 pcs. Perforated panels

Total weight: 42,2 kg

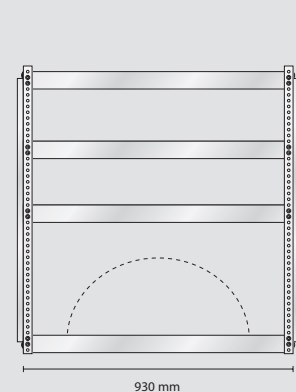
S28 weight 24,6 kg



Unassembled EAN: 187275

Assembled EAN: 183277

S29 weight 17,6 kg



Unassembled EAN: 187282

Assembled EAN: 183284

MODEL SS3 – standard

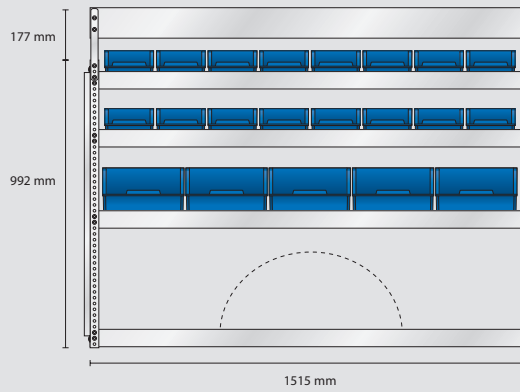
Unassembled EAN: 186100

Assembled EAN: 182102

Content: 21 pcs. Shelf bin 5-600
4 pcs. Shelf bin 6-1100
8 pcs. Shelf bin 8-2000
2 pcs. Perforated panels

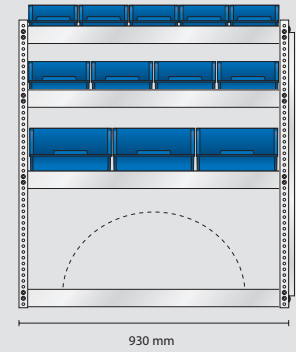
Total weight: 59,6 kg

S20 weight 36 kg



Unassembled EAN: 187169
Assembled EAN: 183161

S21 weight 23,6 kg



Unassembled EAN: 187206
Assembled EAN: 183208

MODEL ES3 – electrician

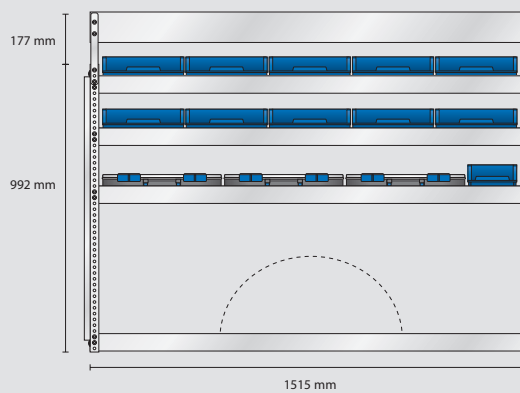
Unassembled EAN: 186117

Assembled EAN: 182119

Content: 10 pcs. Shelf bin 4-800
6 pcs. Shelf bin 5-600
4 pcs. Shelf bin 6-1100
5 pcs. CarryLite 80-15
2 pcs. Perforated panels

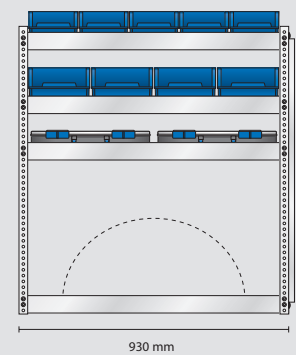
Total weight: 60,6 kg

S22 weight 36,4 kg



Unassembled EAN: 187213
Assembled EAN: 183215

S23 weight 24,2 kg



Unassembled EAN: 187220
Assembled EAN: 183222

MODEL VS3 – plumber

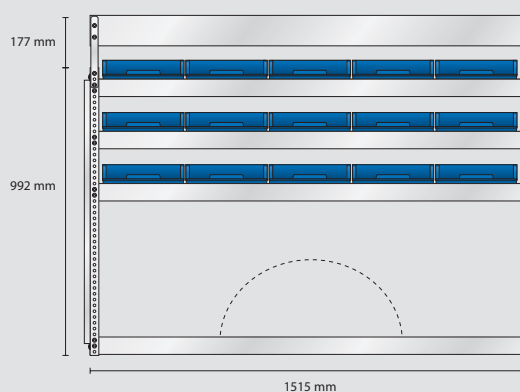
Unassembled EAN: 186124

Assembled EAN: 182126

Content: 24 pcs. Shelf bin 4-800
1 pcs. Alu drawer
2 pcs. Perforated panels

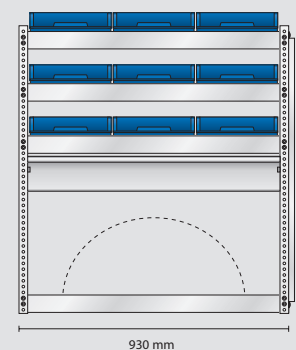
Total weight: 60,1 kg

S24 weight 33,6 kg

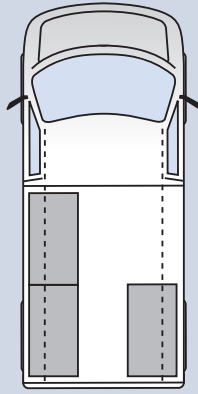


Unassembled EAN: 187237
Assembled EAN: 183239

S25 weight 26,5 kg



Unassembled EAN: 187244
Assembled EAN: 183246



The shelving position in the van

The depth of all modules is 380 mm.
Adjustment of end walls may be necessary.

Fits the following models

- Citroën Jumpy L2 (M)
- Mercedes Vito L1
- Nissan Primastar L1
- Opel Vivaro L2
- Peugeot Expert L2 (M)
- Toyota Proace L2
- Volkswagen Transporter L1/H1
- Volkswagen Transporter L1/H2

MODEL AS27 – alternative

Unassembled EAN: 185691

Assembled EAN: 182652

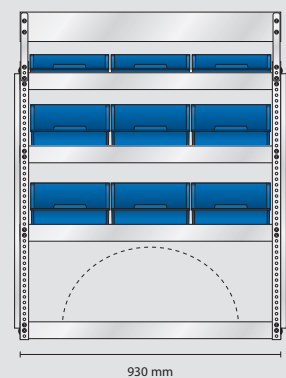
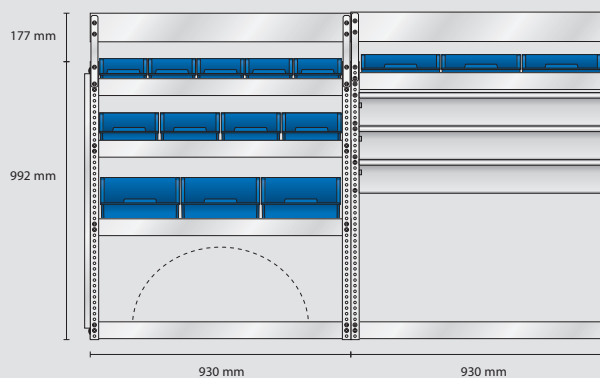
- Content:
- 6 pcs. Shelf bin 4-800
 - 5 pcs. Shelf bin 5-600
 - 4 pcs. Shelf bin 6-1100
 - 9 pcs. Shelf bin 8-2000
 - 3 pcs. Alu drawers
 - 3 pcs. Perforated panels

Total weight: 84,2 kg

S189 weight 26,2 kg

S39 weight 30,3 kg

S40 weight 28 kg



Unassembled EAN: 185660
Assembled EAN: 184625

Unassembled EAN: 187381
Assembled EAN: 183383

Unassembled EAN: 187398
Assembled EAN: 183390

MODEL AS28 – alternative

Unassembled EAN: 185707

Assembled EAN: 182669

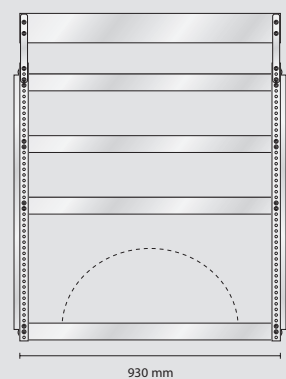
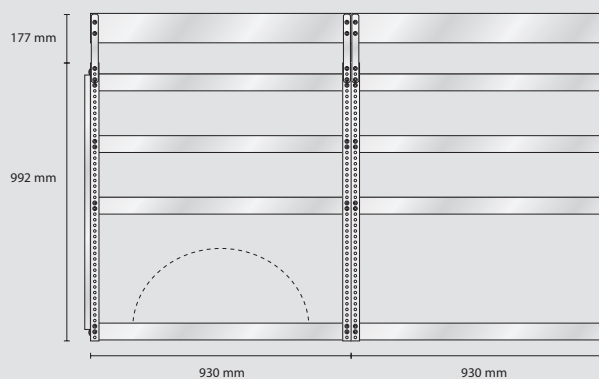
- Content:
- 3 pcs. Perforated panels

Total weight: 56,1 kg

S190 weight 18,8 kg

S126 weight 17,4 kg

S127 weight 20,2 kg



Unassembled EAN: 185677
Assembled EAN: 184632

Unassembled EAN: 188227
Assembled EAN: 184229

Unassembled EAN: 188234
Assembled EAN: 184236

MODEL SS14 – standard

Unassembled EAN: 185714
 Assembled EAN: 182676

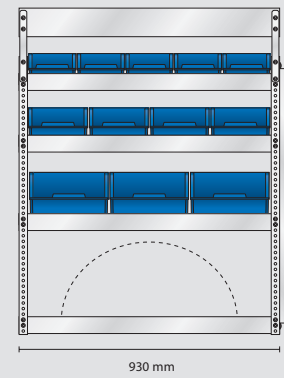
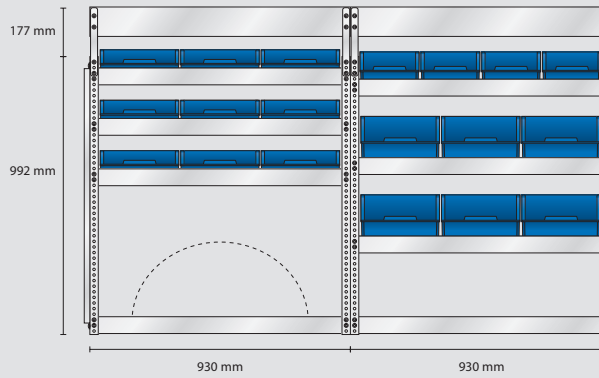
Content: 9 pcs. Shelf bin 4-800
 5 pcs. Shelf bin 5-600
 8 pcs. Shelf bin 6-1100
 9 pcs. Shelf bin 8-2000
 2 pcs. Perforated panels

Total weight: 75,9 kg

S191 weight 24,2 kg

S31 weight 25,8 kg

S32 weight 26,2 kg



Unassembled EAN: 185684
 Assembled EAN: 184649

Unassembled EAN: 187305
 Assembled EAN: 183307

Unassembled EAN: 187312
 Assembled EAN: 183314

MODEL ES14 – electrician

Unassembled EAN: 185721
 Assembled EAN: 182683

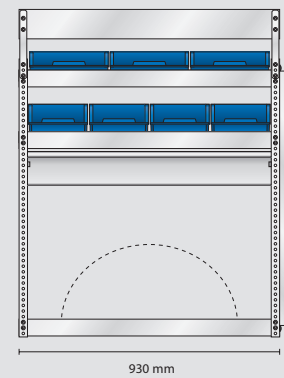
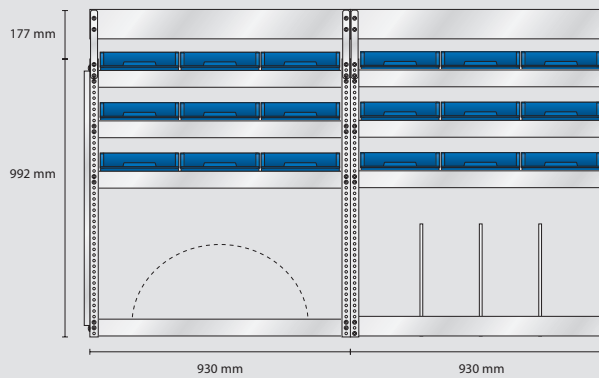
Content: 21 pcs. Shelf bin 4-800
 4 pcs. Shelf bin 6-1100
 1 pcs. Alu drawer
 2 pcs. Perforated panels

Total weight: 78,4 kg

S191 weight 24,2 kg

S34 weight 28,7 kg

S35 weight 25,8 kg



Unassembled EAN: 185684
 Assembled EAN: 184649

Unassembled EAN: 187336
 Assembled EAN: 183338

Unassembled EAN: 187343
 Assembled EAN: 183345

MODEL VS14 – plumber

Unassembled EAN: 185738
 Assembled EAN: 182690

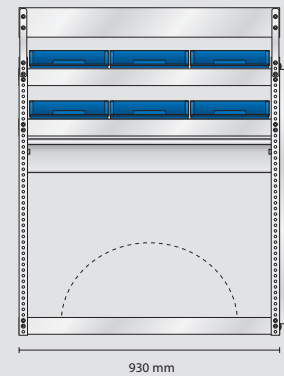
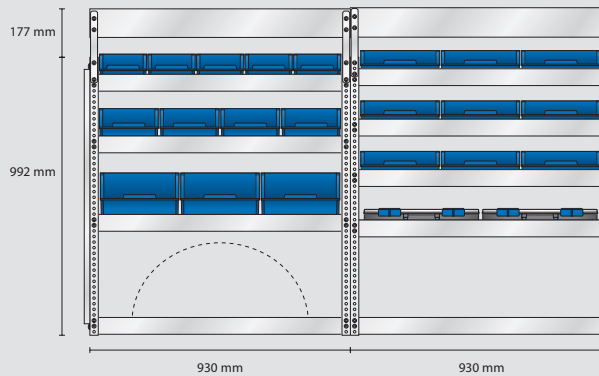
Content: 15 pcs. Shelf bin 4-800
 5 pcs. Shelf bin 5-600
 4 pcs. Shelf bin 6-1100
 3 pcs. Shelf bin 8-2000
 2 pcs. CarryLite 80-15
 1 pcs. Alu drawer
 2 pcs. Perforated panels

Total weight: 79,6 kg

S189 weight 26,2 kg

S37 weight 28,5 kg

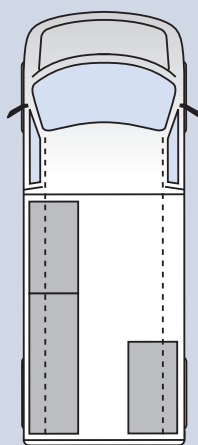
S38 weight 25,2 kg



Unassembled EAN: 185660
 Assembled EAN: 184625

Unassembled EAN: 187367
 Assembled EAN: 183369

Unassembled EAN: 187374
 Assembled EAN: 183376



The shelving position in the van

The depth of all modules is 380 mm.
Adjustment of end walls may be necessary.

Fits the following models

- Fiat Talento L1/H1
- Ford Custom L1/H1
- Mercedes Vito L2
- Renault Traffic L1/H1

MODEL AS7 – alternative

Unassembled EAN: 186186

Assembled EAN: 182188

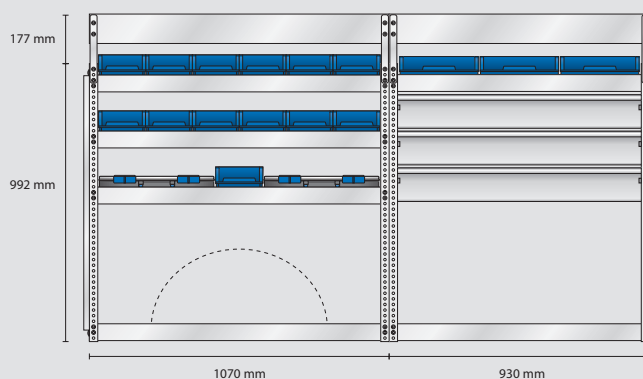
Content: 6 pcs. Shelf bin 4-800
13 pcs. Shelf bin 5-600
6 pcs. Shelf bin 8-2000
2 pcs. CarryLite 80-15
3 pcs. Alu drawers
3 pcs. Perforated panels

Total weight: 86,9 kg

S30 weight 28,9 kg

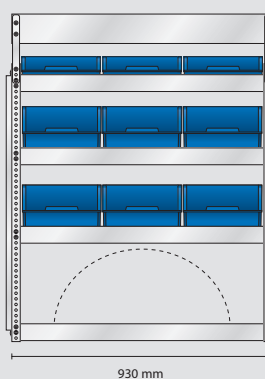
S39 weight 30,3 kg

S40 weight 28 kg



Unassembled EAN: 187299
Assembled EAN: 183291

Unassembled EAN: 187381
Assembled EAN: 183383



Unassembled EAN: 187398
Assembled EAN: 183390

MODEL AS8 – alternative

Unassembled EAN: 186193

Assembled EAN: 182195

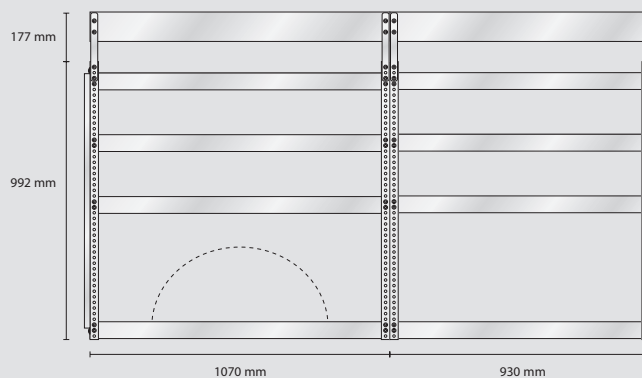
Content: 3 pcs. Perforated panels

Total weight: 57,4 kg

S41 weight 20,1 kg

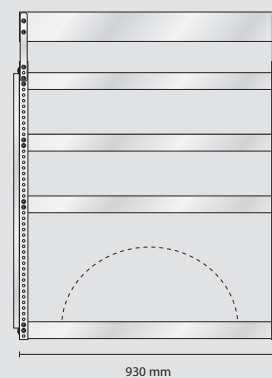
S126 weight 17,4 kg

S127 weight 20,2 kg



Unassembled EAN: 187404
Assembled EAN: 183406

Unassembled EAN: 188227
Assembled EAN: 184229



Unassembled EAN: 188234
Assembled EAN: 184236

MODEL SS4 – standard

Unassembled EAN: 186155
 Assembled EAN: 182157

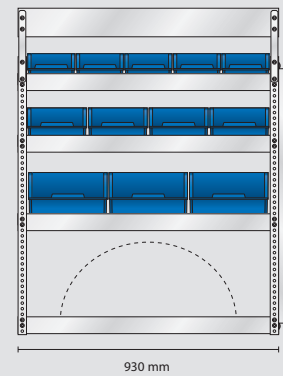
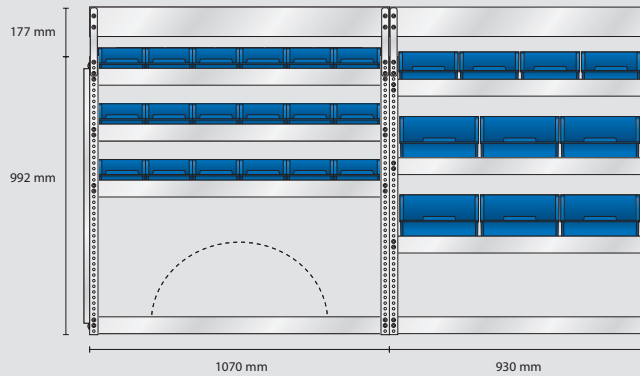
Content: 23 pcs. Shelf bin 5-600
 8 pcs. Shelf bin 6-1100
 9 pcs. Shelf bin 8-2000
 2 pcs. Perforated panels

Total weight: 79 kg

S36 weight 27,3 kg

S31 weight 25,8 kg

S32 weight 26,2 kg



Unassembled EAN: 187350
 Assembled EAN: 183352

Unassembled EAN: 187305
 Assembled EAN: 183307

Unassembled EAN: 187312
 Assembled EAN: 183314

MODEL ES4 – electrician

Unassembled EAN: 186162
 Assembled EAN: 182164

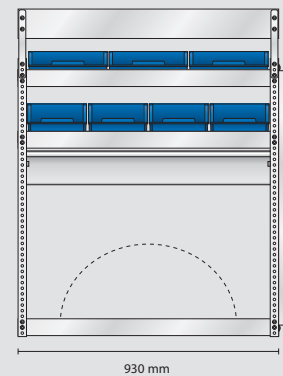
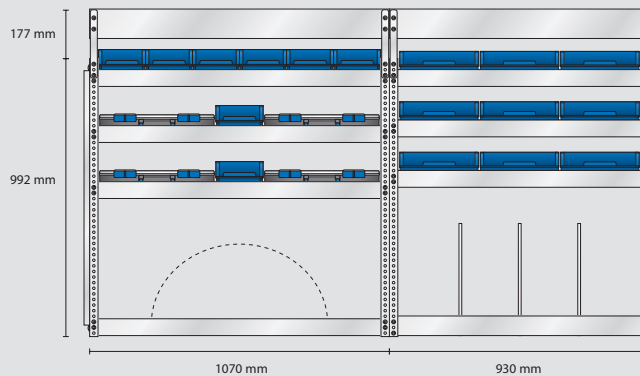
Content: 12 pcs. Shelf bin 4-800
 8 pcs. Shelf bin 5-600
 4 pcs. Shelf bin 6-1100
 4 pcs. CarryLite 80-15
 1 pcs. Alu drawer
 2 pcs. Perforated panels

Total weight: 84,7 kg

S33 weight 30,5 kg

S34 weight 28,7 kg

S35 weight 25,8 kg



Unassembled EAN: 187329
 Assembled EAN: 183321

Unassembled EAN: 187336
 Assembled EAN: 183338

Unassembled EAN: 187343
 Assembled EAN: 183345

MODEL VS4 – plumber

Unassembled EAN: 186179
 Assembled EAN: 182171

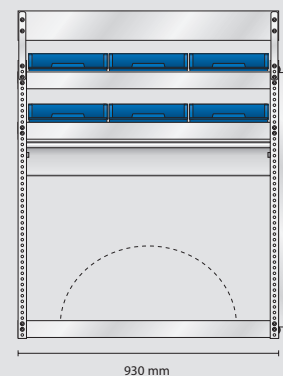
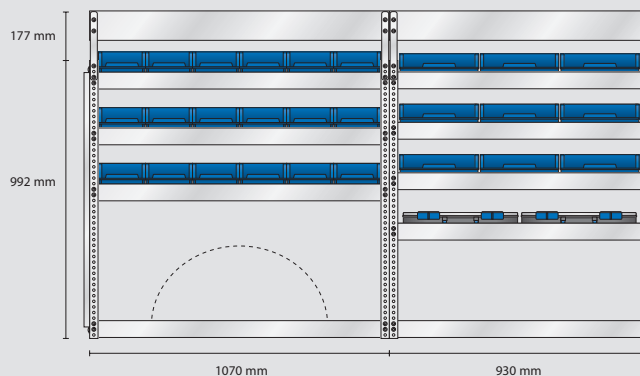
Content: 15 pcs. Shelf bin 4-800
 18 pcs. Shelf bin 5-600
 2 pcs. CarryLite 80-15
 1 pcs. Alu drawer
 2 pcs. Perforated panels

Total weight: 80,7 kg

S36 weight 27,3 kg

S37 weight 28,5 kg

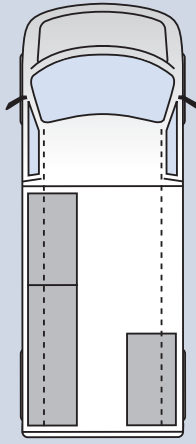
S38 weight 25,2 kg



Unassembled EAN: 187350
 Assembled EAN: 183352

Unassembled EAN: 187367
 Assembled EAN: 183369

Unassembled EAN: 187374
 Assembled EAN: 183376



The shelving position in the van

The depth of all modules is 380 mm.
Adjustment of end walls may be necessary.

Fits the following models

- Ford Custom L1/H2
- Nissan Interstar L1/H1
- Nissan Interstar L1/H2
- Renault Master L1/H1
- Renault Master L1/H2

MODEL AS9 – alternative

Unassembled EAN: 186230

Assembled EAN: 182232

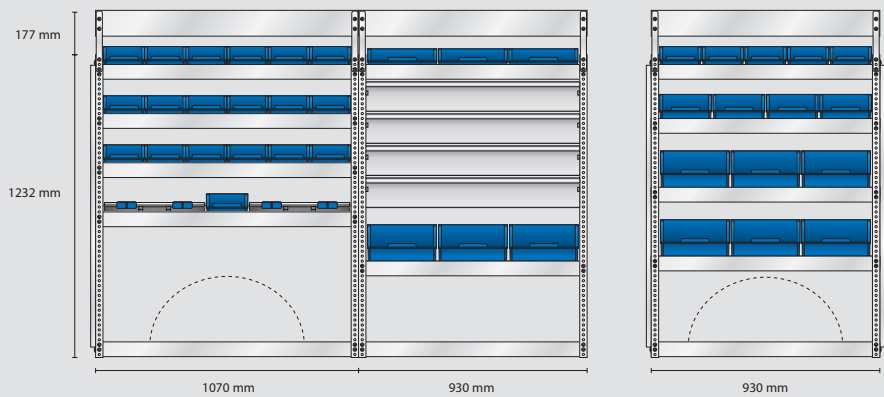
Content: 3 pcs. Shelf bin 4-800
24 pcs. Shelf bin 5-600
4 pcs. Shelf bin 6-1100
9 pcs. Shelf bin 8-2000
2 pcs. CarryLite 80-15
4 pcs. Alu drawers
3 pcs. Perforated panels

Total weight: 111,8 kg

S48 weight 35,7 kg

S52 weight 41,3 kg

S51 weight 35,1 kg



Unassembled EAN: 187473

Assembled EAN: 183475

Unassembled EAN: 187510

Assembled EAN: 183512

Unassembled EAN: 187503

Assembled EAN: 183505

MODEL AS10 – alternative

Unassembled EAN: 186247

Assembled EAN: 182249

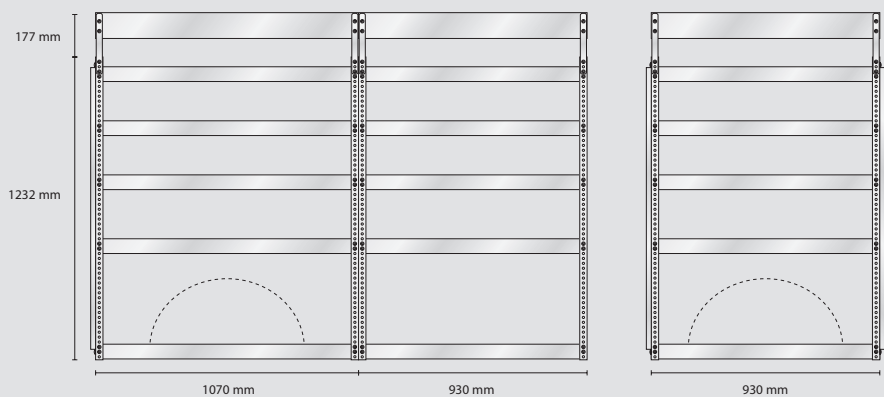
Content: 3 pcs. Perforated panels

Total weight: 68,2 kg

S53 weight 24,5 kg

S54 weight 21,1 kg

S129 weight 22,9 kg



Unassembled EAN: 187527

Assembled EAN: 183529

Unassembled EAN: 187534

Assembled EAN: 183536

Unassembled EAN: 188258

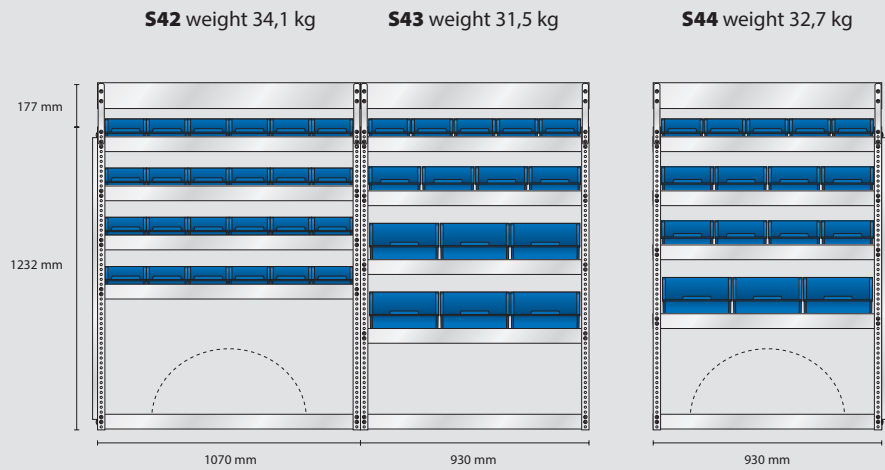
Assembled EAN: 184250

MODEL SS5 – standard

Unassembled EAN: 186209
Assembled EAN: 182201

Content: 34 pcs. Shelf bin 5-600
12 pcs. Shelf bin 6-1100
9 pcs. Shelf bin 8-2000
2 pcs. Perforated panels

Total weight: 98 kg



Unassembled EAN: 187411
Assembled EAN: 183413

Unassembled EAN: 187428
Assembled EAN: 183420

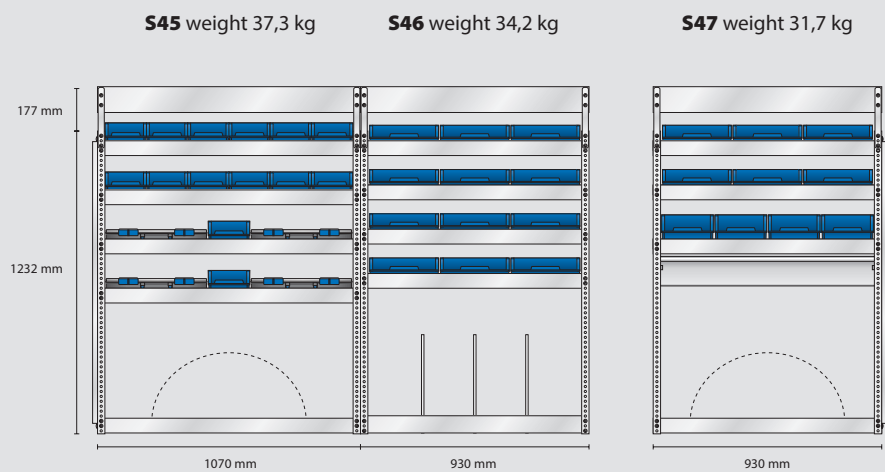
Unassembled EAN: 187435
Assembled EAN: 183437

MODEL ES5 – electrician

Unassembled EAN: 186216
Assembled EAN: 182218

Content: 18 pcs. Shelf bin 4-800
14 pcs. Shelf bin 5-600
4 pcs. Shelf bin 6-1100
4 pcs. CarryLite 80-15
1 pcs. Alu drawer
2 pcs. Perforated panels

Total weight: 102,9 kg



Unassembled EAN: 187442
Assembled EAN: 183444

Unassembled EAN: 187459
Assembled EAN: 183451

Unassembled EAN: 187466
Assembled EAN: 183468

MODEL VS5 – plumber

Unassembled EAN: 186223
Assembled EAN: 182225

Content: 21 pcs. Shelf bin 4-800
19 pcs. Shelf bin 5-600
2 pcs. CarryLite 80-15
2 pcs. Alu drawers
2 pcs. Perforated panels

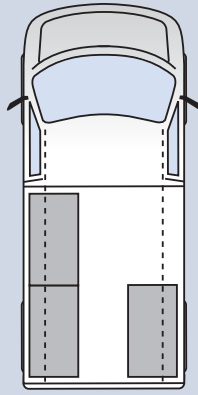
Total weight: 99,7 kg



Unassembled EAN: 187473
Assembled EAN: 183475

Unassembled EAN: 187480
Assembled EAN: 183482

Unassembled EAN: 187497
Assembled EAN: 183499



The shelving position in the van

The depth of all modules is 380 mm.
Adjustment of end walls may be necessary.

Fits the following models

- Citroën Jumpy L3 (XL)
- Fiat Talento L2/H1
- Nissan Primastar L2
- Opel Vivaro L3
- Peugeot Expert L3 (XL)
- Renault Traffic L2/H1
- Toyota Proace L3

MODEL AS11 – alternative

Unassembled EAN: 186285

Assembled EAN: 182287

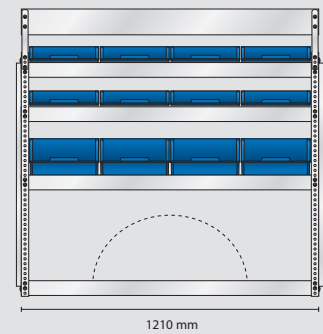
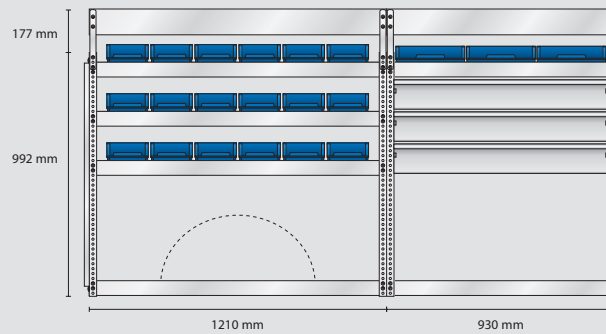
Content: 11 pcs. Shelf bin 4-800
18 pcs. Shelf bin 5-600
4 pcs. Shelf bin 8-2000
3 pcs. Alu drawers
3 pcs. Perforated panels

Total weight: 90,8 kg

S58 weight 28,9 kg

S39 weight 30,3 kg

S130 weight 31,9 kg



Unassembled EAN: 187572
Assembled EAN: 183574

Unassembled EAN: 187381
Assembled EAN: 183383

Unassembled EAN: 188265
Assembled EAN: 184267

MODEL AS12– alternative

Unassembled EAN: 186292

Assembled EAN: 182294

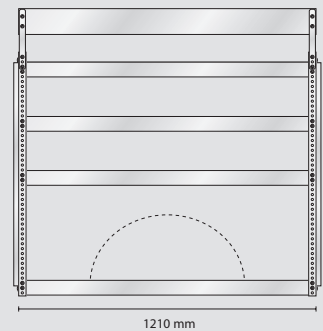
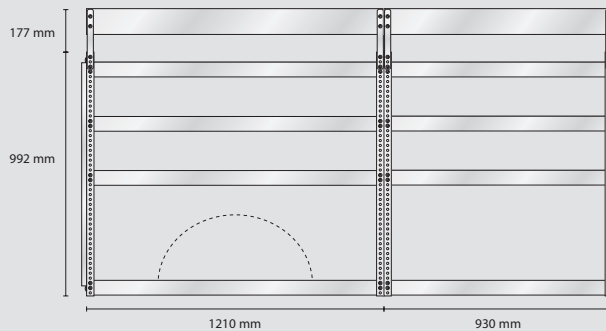
Content: 3 pcs. Perforated panels

Total weight: 61,9 kg

S59 weight 21,7 kg

S126 weight 17,4 kg

S131 weight 23,1 kg



Unassembled EAN: 187589
Assembled EAN: 183581

Unassembled EAN: 188227
Assembled EAN: 184229

Unassembled EAN: 188272
Assembled EAN: 184274

MODEL SS6 – standard

Unassembled EAN: 186254

Assembled EAN: 182256

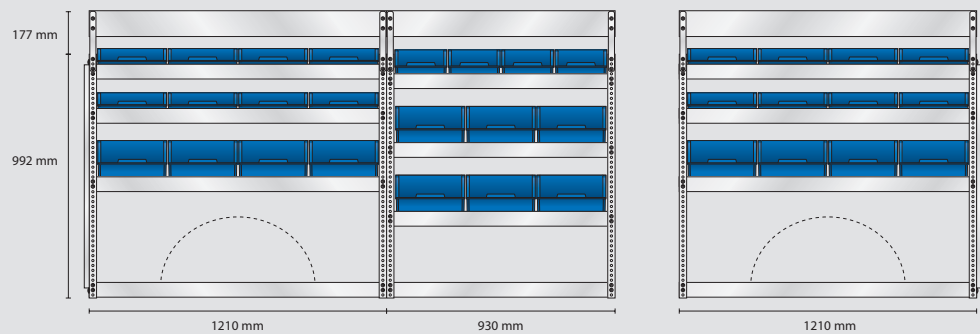
Content: 16 pcs. Shelf bin 4-800
4 pcs. Shelf bin 6-1100
14 pcs. Shelf bin 8-2000
2 pcs. Perforated panels

Total weight: 86,5 kg

S128 weight 30,5 kg

S31 weight 25,8 kg

S79 weight 30,5 kg



Unassembled EAN: 188241

Assembled EAN: 184243

Unassembled EAN: 187305

Assembled EAN: 183307

Unassembled EAN: 187787

Assembled EAN: 183789

MODEL ES6 – electrician

Unassembled EAN: 186261

Assembled EAN: 182263

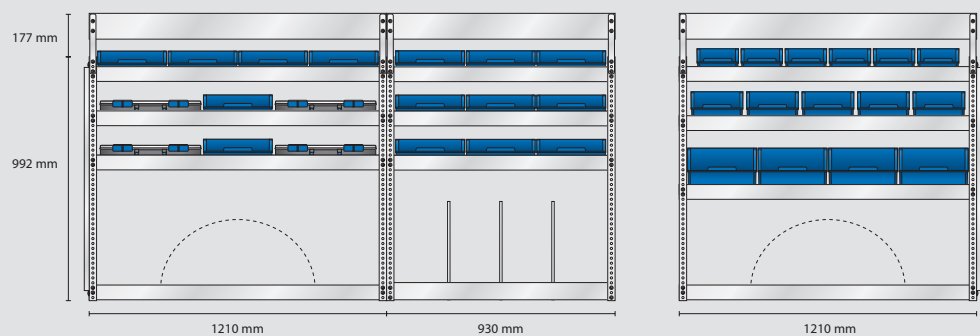
Content: 15 pcs. Shelf bin 4-800
6 pcs. Shelf bin 5-600
5 pcs. Shelf bin 6-1100
4 pcs. Shelf bin 8-2000
4 pcs. CarryLite 80-15
2 pcs. Perforated panels

Total weight: 91,4 kg

S56 weight 32,5 kg

S34 weight 28,7 kg

S80 weight 31,1 kg



Unassembled EAN: 187558

Assembled EAN: 183550

Unassembled EAN: 187336

Assembled EAN: 183338

Unassembled EAN: 187794

Assembled EAN: 183796

MODEL VS6 – plumber

Unassembled EAN: 186278

Assembled EAN: 182270

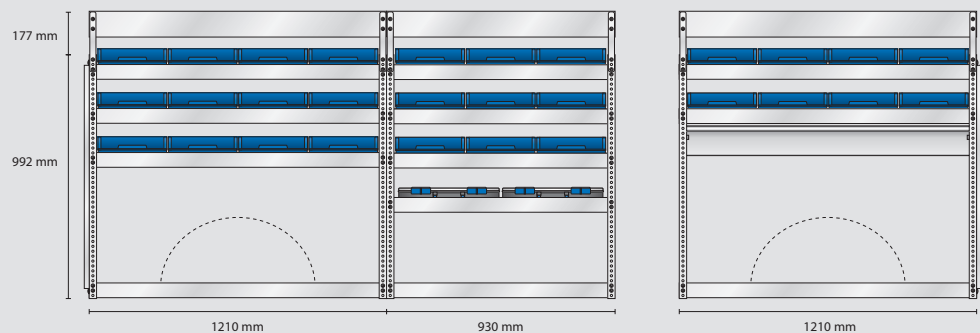
Content: 29 pcs. Shelf bin 4-800
2 pcs. CarryLite 80-15
1 pcs. Alu drawer
2 pcs. Perforated panels

Total weight: 86,2 kg

S57 weight 28,9 kg

S37 weight 28,5 kg

S81 weight 29,1 kg



Unassembled EAN: 187565

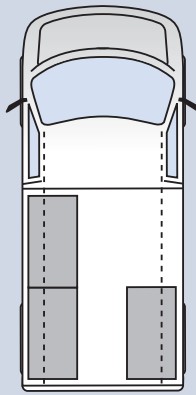
Assembled EAN: 183567

Unassembled EAN: 187367

Assembled EAN: 183369

Unassembled EAN: 187800

Assembled EAN: 183802



The shelving position in the van

The depth of all modules is 380 mm.
Adjustment of end walls may be necessary.

Fits the following models

- Citroën Jumper L1/H1
- Fiat Ducato L1/H1
- Ford Custom L2/H2
- Mercedes Sprinter L1/H1
- Opel Movano L1/H1
- Peugeot Boxer L1/H1

MODEL AS13 – alternative

Unassembled EAN: 186339

Assembled EAN: 182331

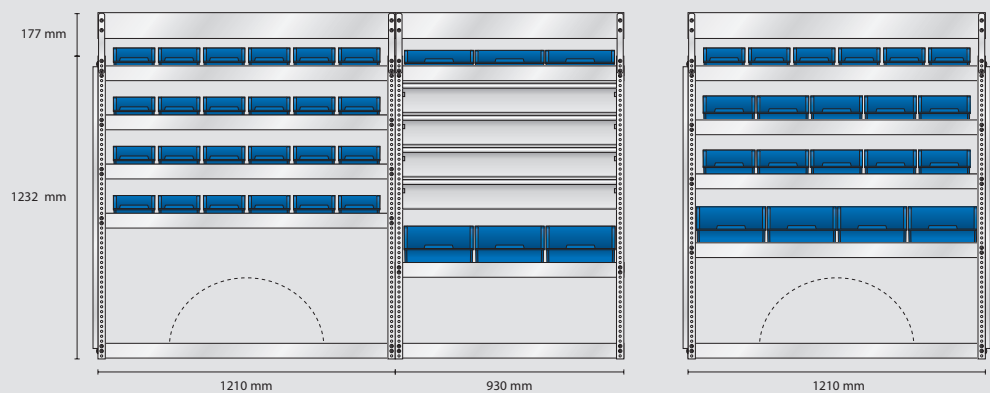
Content: 3 pcs. Shelf bin 4-800
30 pcs. Shelf bin 5-600
10 pcs. Shelf bin 6-1100
7 pcs. Shelf bin 8-2000
4 pcs. Alu drawers
3 pcs. Perforated panels

Total weight: 117,8 kg

S63 weight 36,1 kg

S52 weight 41,3 kg

S134 weight 40,7 kg



Unassembled EAN: 187626

Assembled EAN: 183628

Unassembled EAN: 187510

Assembled EAN: 183512

Unassembled EAN: 188302

Assembled EAN: 184304

MODEL AS14 – alternative

Unassembled EAN: 186346

Assembled EAN: 182348

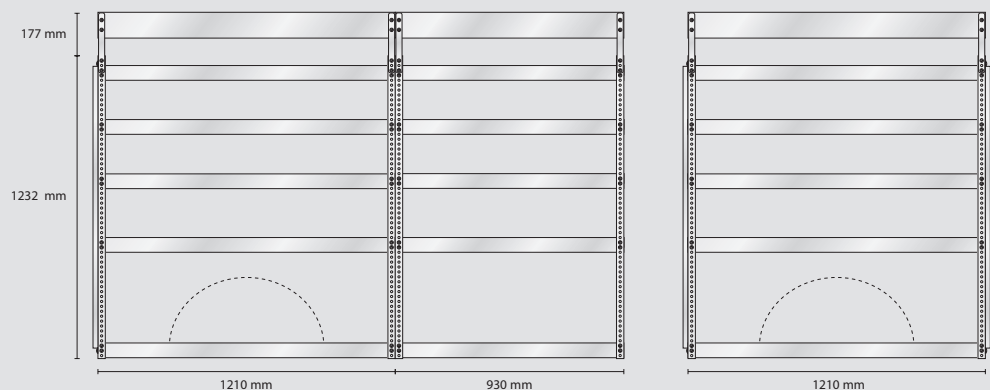
Content: 3 pcs. Perforated panels

Total weight: 75,6 kg

S64 weight 26,5 kg

S54 weight 21,1 kg

S122 weight 28,3 kg



Unassembled EAN: 187633

Assembled EAN: 183635

Unassembled EAN: 187534

Assembled EAN: 183536

Unassembled EAN: 188180

Assembled EAN: 184182

MODEL SS7 – standard

Unassembled EAN: 186308

Assembled EAN: 182300

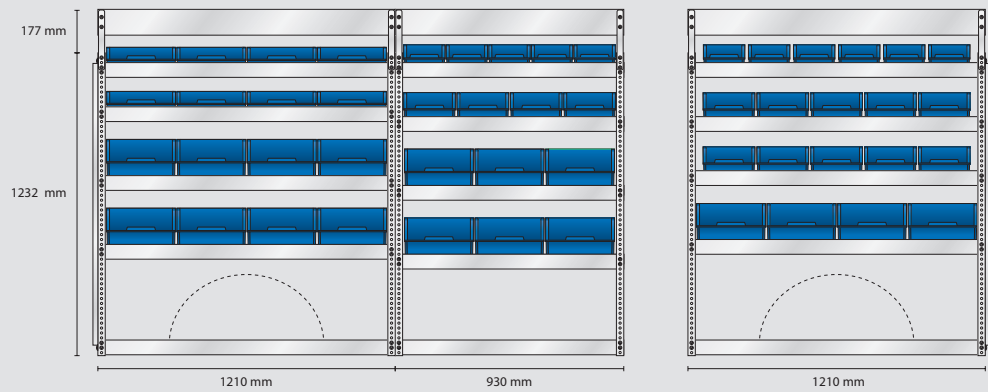
Content: 8 pcs. Shelf bin 4-800
 11 pcs. Shelf bin 5-600
 14 pcs. Shelf bin 6-1100
 18 pcs. Shelf bin 8-2000
 2 pcs. Perforated panels

Total weight: 109,4 kg

S60 weight 39,3 kg

S43 weight 31,5 kg

S84 weight 38,9 kg



Unassembled EAN: 187596
 Assembled EAN: 183598

Unassembled EAN: 187428
 Assembled EAN: 183420

Unassembled EAN: 187831
 Assembled EAN: 183833

MODEL ES7 – electrician

Unassembled EAN: 186315

Assembled EAN: 182317

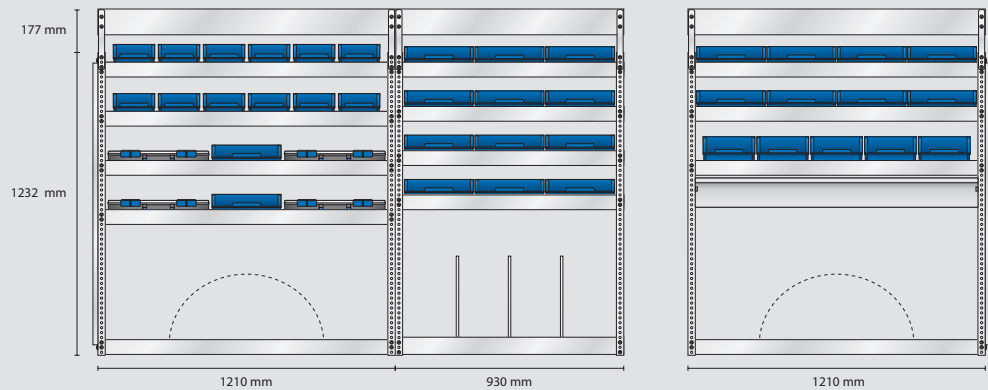
Content: 22 pcs. Shelf bin 4-800
 12 pcs. Shelf bin 5-600
 5 pcs. Shelf bin 6-1100
 4 pcs. CarryLite 80-15
 1 pcs. Alu drawer
 2 pcs. Perforated panels

Total weight: 110,5 kg

S61 weight 39,7 kg

S46 weight 34,2 kg

S85 weight 36,9 kg



Unassembled EAN: 187602
 Assembled EAN: 183604

Unassembled EAN: 187459
 Assembled EAN: 183451

Unassembled EAN: 187848
 Assembled EAN: 183840

MODEL VS7 – plumber

Unassembled EAN: 186322

Assembled EAN: 182324

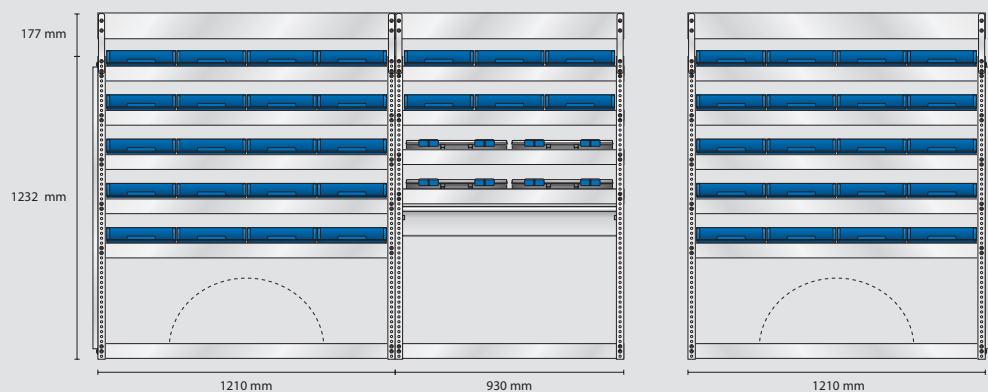
Content: 46 pcs. Shelf bin 4-800
 4 pcs. CarryLite 80-15
 1 pcs. Alu drawer
 2 pcs. Perforated panels

Total weight: 119,1 kg

S62 weight 41,3 kg

S132 weight 36,8 kg

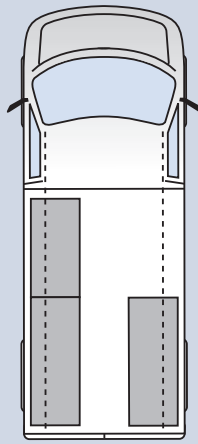
S133 weight 41,3 kg



Unassembled EAN: 187619
 Assembled EAN: 183611

Unassembled EAN: 188289
 Assembled EAN: 184281

Unassembled EAN: 188296
 Assembled EAN: 184298



The shelving position in the van

The depth of all modules is 380 mm.

Adjustment of end walls may be necessary.

Fits the following model

- Mercedes Sprinter L1/H2

MODEL AS15 – alternative

Unassembled EAN: 186384

Assembled EAN: 182386

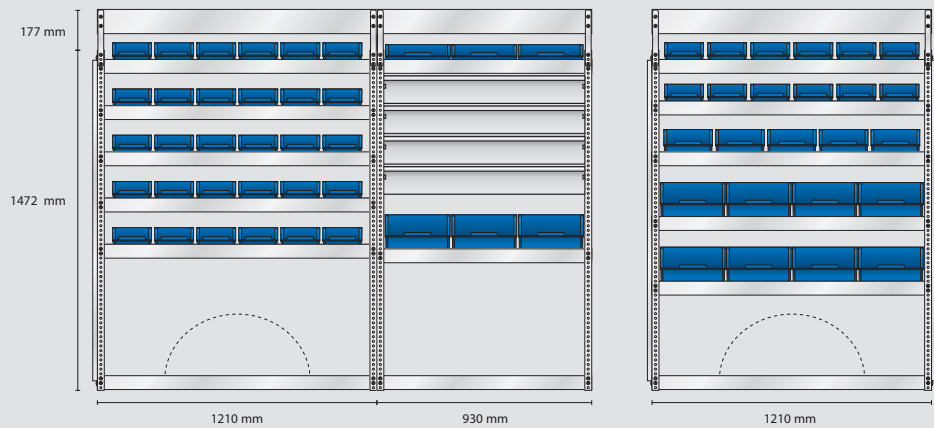
Content: 3 pcs. Shelf bin 4-800
 42 pcs. Shelf bin 5-600
 5 pcs. Shelf bin 6-1100
 11 pcs. Shelf bin 8-2000
 4 pcs. Alu drawers
 3 pcs. Perforated panels

Total weight: 133,4 kg

S65 weight 42,7 kg

S75 weight 42,7 kg

S76 weight 48,3 kg



Unassembled EAN: 187640

Assembled EAN: 183642

Unassembled EAN: 187749

Assembled EAN: 183741

Unassembled EAN: 187756

Assembled EAN: 183758

MODEL AS16 – alternative

Unassembled EAN: 186391

Assembled EAN: 182393

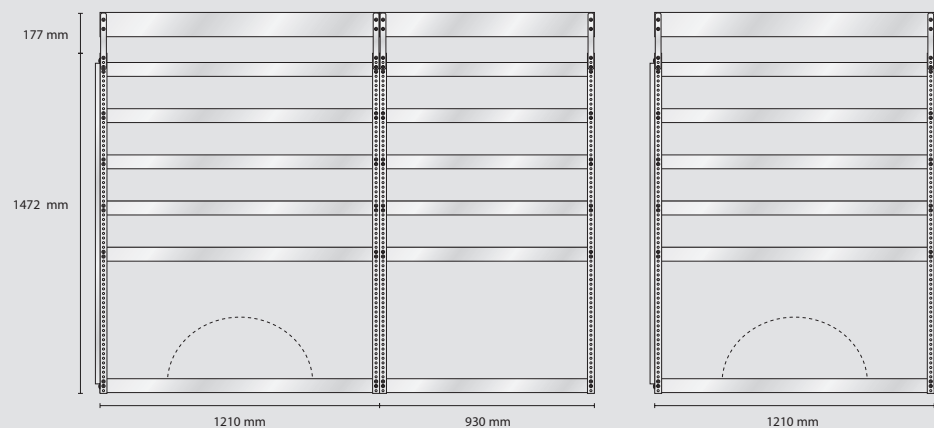
Content: 3 pcs. Perforated panels

Total weight: 87,5 kg

S77 weight 30,7 kg

S78 weight 24,6 kg

S123 weight 32,5 kg



Unassembled EAN: 187763

Assembled EAN: 183765

Unassembled EAN: 187770

Assembled EAN: 183772

Unassembled EAN: 188197

Assembled EAN: 184199

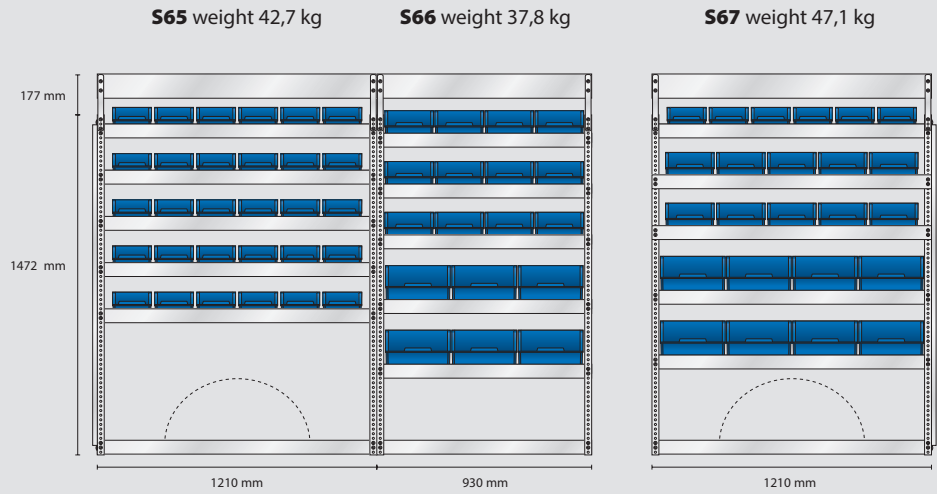
MODEL SS8 – standard

Unassembled EAN: 186353

Assembled EAN: 182355

Content: 36 pcs. Shelf bin 5-600
22 pcs. Shelf bin 6-1100
14 pcs. Shelf bin 8-2000
2 pcs. Perforated panels

Total weight: 127,3 kg



Unassembled EAN: 187640

Assembled EAN: 183642

Unassembled EAN: 187657

Assembled EAN: 183659

Unassembled EAN: 187664

Assembled EAN: 183666

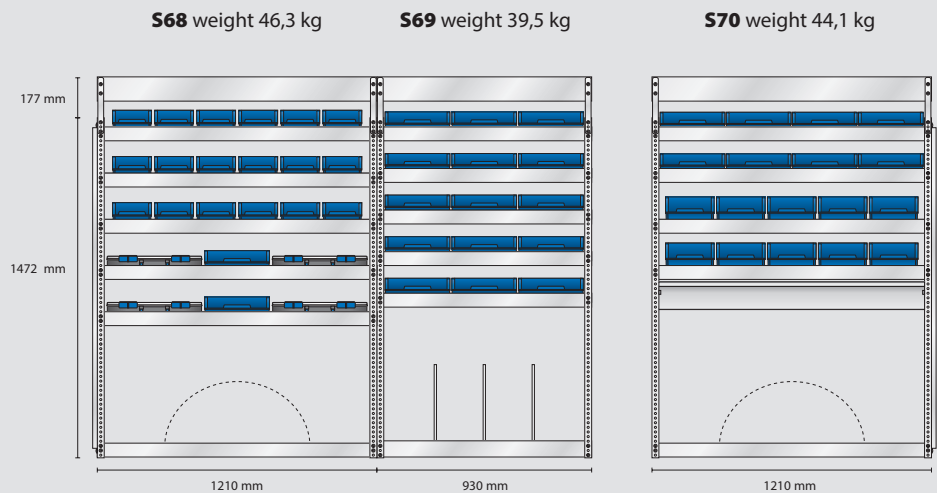
MODEL ES8 – electrician

Unassembled EAN: 186360

Assembled EAN: 182362

Content: 25 pcs. Shelf bin 4-800
18 pcs. Shelf bin 5-600
10 pcs. Shelf bin 6-1100
4 pcs. CarryLite 80-15
1 pcs. Alu drawer
2 pcs. Perforated panels

Total weight: 129,6 kg



Unassembled EAN: 187671

Assembled EAN: 183673

Unassembled EAN: 187688

Assembled EAN: 183680

Unassembled EAN: 187695

Assembled EAN: 183697

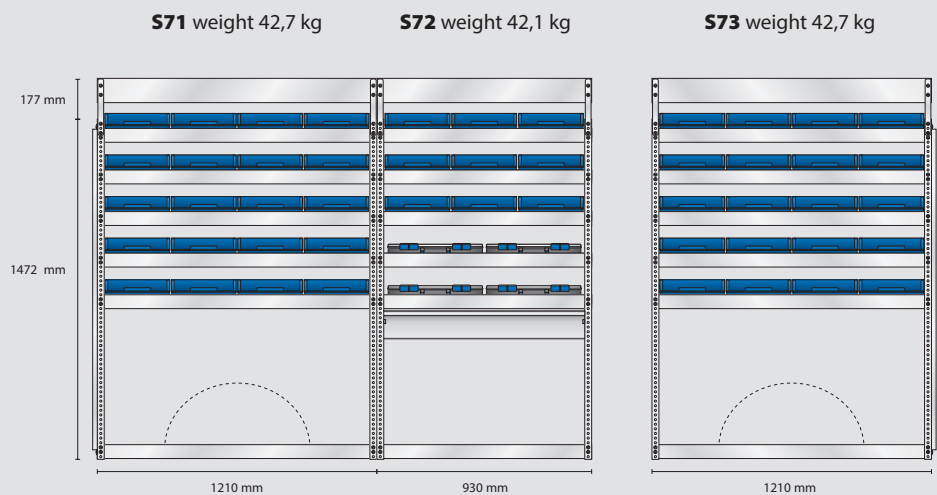
MODEL VS8 – plumber

Unassembled EAN: 186377

Assembled EAN: 182379

Content: 49 pcs. Shelf bin 4-800
4 pcs. CarryLite 80-15
1 pcs. Alu drawer
2 pcs. Perforated panels

Total weight: 127,2 kg



Unassembled EAN: 187701

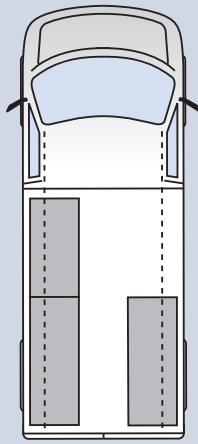
Assembled EAN: 183703

Unassembled EAN: 187718

Assembled EAN: 183710

Unassembled EAN: 187725

Assembled EAN: 183727



The shelving position in the van

The depth of all modules is 380 mm.

Adjustment of end walls may be necessary.

Fits the following model

- Ford Custom L2/H1
- Mercedes Vito L3
- Transporter L2/H1
- Transporter L2/H2

MODEL AS17 – alternative

Unassembled EAN: 186438

Assembled EAN: 182430

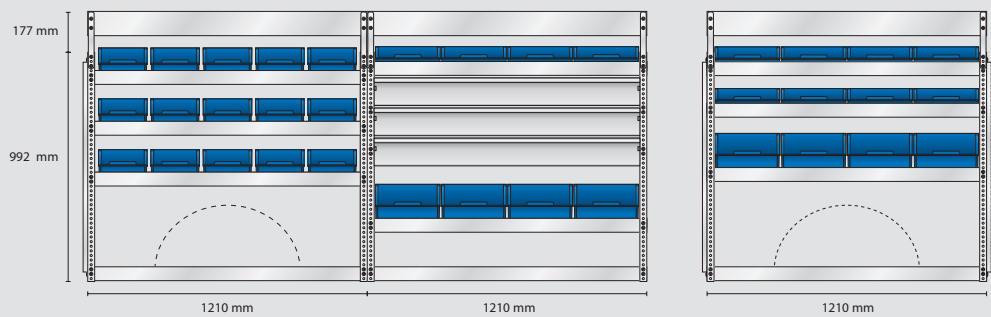
Content: 12 pcs. 4-800
 15 pcs. 6-1100
 8 pcs. 8-2000
 3 pcs. Bins
 3 pcs. Perforated panels

Total weight: 103 kg

S137 weight 30,7 kg

S83 weight 40,1 kg

S130 weight 31,9 kg



Unassembled EAN: 188333

Assembled EAN: 184335

Unassembled EAN: 187824

Assembled EAN: 183826

Unassembled EAN: 188265

Assembled EAN: 184267

MODEL AS18 – alternative

Unassembled EAN: 186445

Assembled EAN: 182447

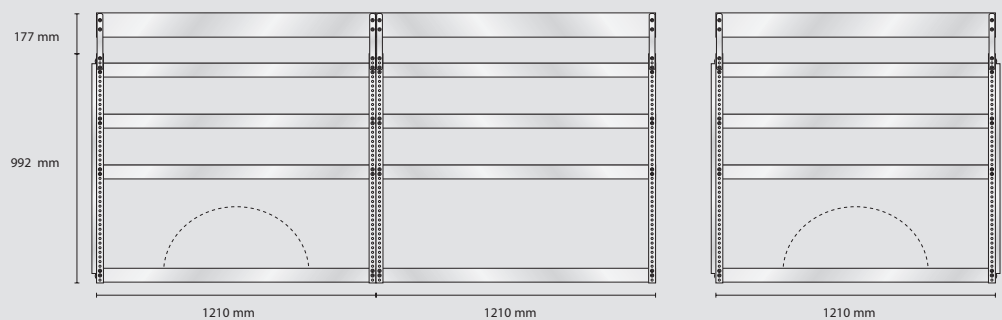
Content: 3 pcs. Perforated panels

Total weight: 64,8 kg

S59 weight 21,7 kg

S138 weight 20,3 kg

S131 weight 23,1 kg



Unassembled EAN: 187589

Assembled EAN: 183581

Unassembled EAN: 188340

Assembled EAN: 184342

Unassembled EAN: 188272

Assembled EAN: 184274

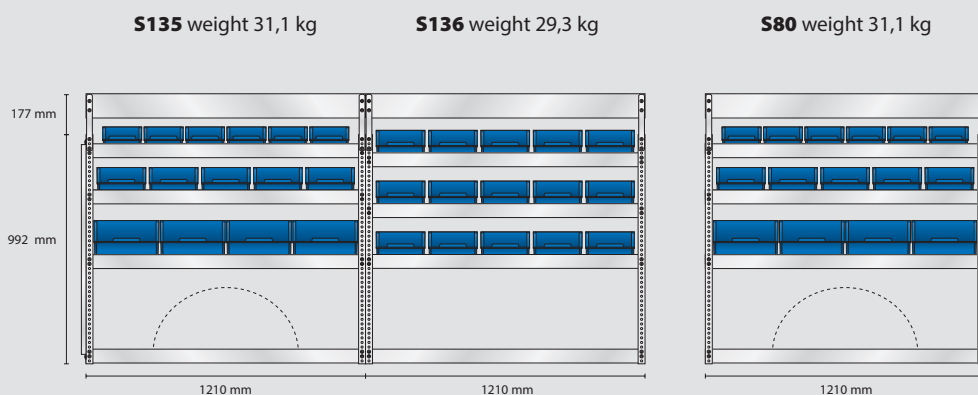
MODEL SS9 – standard

Unassembled EAN: 186407

Assembled EAN: 182409

Content: 12 pcs. 5-600
 25 pcs. 6-1100
 8 pcs. 8-2000
 2 pcs. Perforated panels

Total weight: 91,2 kg



Unassembled EAN: 188319
 Assembled EAN: 184311

Unassembled EAN: 188326
 Assembled EAN: 184328

Unassembled EAN: 187794
 Assembled EAN: 183796

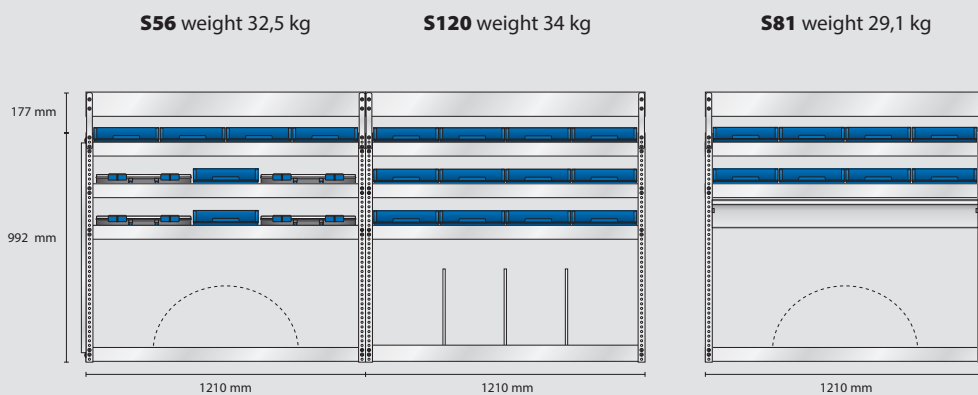
MODEL ES9 – electrician

Unassembled EAN: 186414

Assembled EAN: 182416

Content: 26 pcs. 4-800
 4 pcs. CarryLite 80-15
 1 pcs. Bin
 2 pcs. Perforated panels

Total weight: 95,3 kg



Unassembled EAN: 187558
 Assembled EAN: 183550

Unassembled EAN: 188166
 Assembled EAN: 184168

Unassembled EAN: 187800
 Assembled EAN: 183802

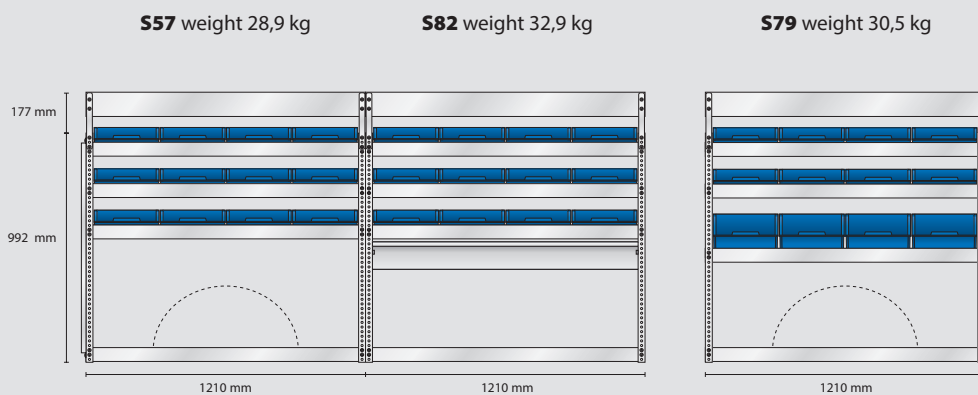
MODEL VS9 – Plumber

Unassembled EAN: 186421

Assembled EAN: 182423

Content: 32 pcs. 4-800
 4 pcs. 8-2000
 1 pcs. Bin
 2 pcs. Perforated panels

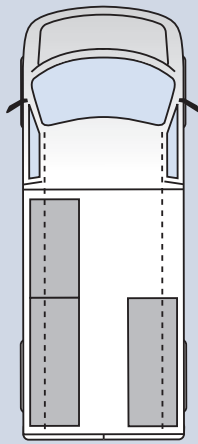
Total weight: 92 kg



Unassembled EAN: 187565
 Assembled EAN: 183567

Unassembled EAN: 187817
 Assembled EAN: 183819

Unassembled EAN: 187787
 Assembled EAN: 183789



The shelving position in the van

The depth of all modules is 380 mm.
Adjustment of end walls may be necessary.

Fits the following models

- Fiat Ducato L2/H1
- Peugeot Boxer L2/H1
- Iveco Daily 9m3 L2/H1
- Volkswagen Crafter L3/H2
- Opel Movano L2/H1

MODEL AS19 – alternative

Unassembled EAN: 186483

Assembled EAN: 182485

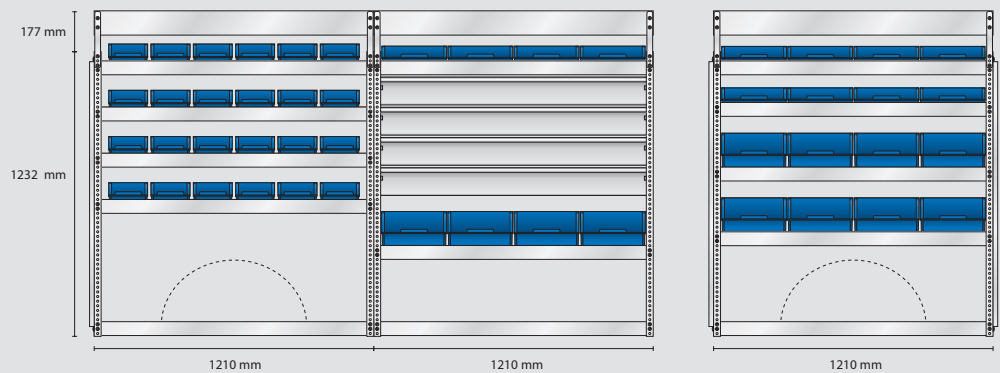
Content: 12 pcs. Shelf bin 4-800
24 pcs. Shelf bin 5-600
12 pcs. Shelf bin 8-2000
4 pcs. Alu drawers
3 pcs. Perforated panels

Total weight: 124 kg

S63 weight 36,1 kg

S121 weight 47,1 kg

S140 weight 41,4 kg



Unassembled EAN: 187626

Assembled EAN: 183628

Unassembled EAN: 188173

Assembled EAN: 184175

Unassembled EAN: 188364

Assembled EAN: 184366

MODEL AS20 – alternative

Unassembled EAN: 186490

Assembled EAN: 182492

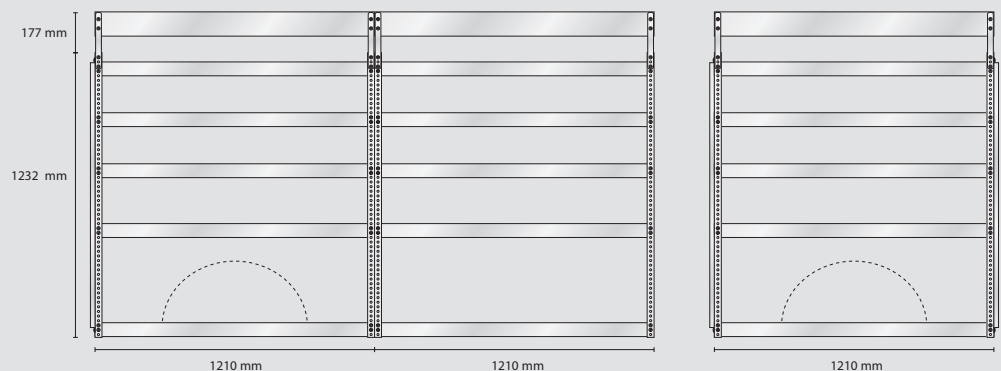
Content: 3 pcs. Perforated panels

Total weight: 79,2 kg

S64 weight 26,5 kg

S141 weight 24,7 kg

S122 weight 28,3 kg



Unassembled EAN: 187633

Assembled EAN: 183635

Unassembled EAN: 188371

Assembled EAN: 184373

Unassembled EAN: 188180

Assembled EAN: 184182

MODEL SS10 – standard

Unassembled EAN: 186452

Assembled EAN: 182454

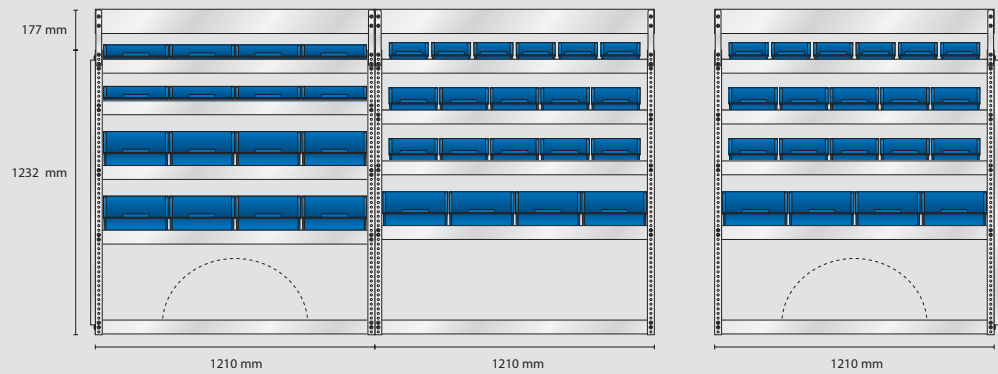
Content: 8 pcs. Shelf bin 4-800
 12 pcs. Shelf bin 5-600
 20 pcs. Shelf bin 6-1100
 16 pcs. Shelf bin 8-2000
 2 pcs. Perforated panels

Total weight: 115 kg

S60 weight 39,3 kg

S125 weight 37,1 kg

S84 weight 38,9 kg



Unassembled EAN: 187596
 Assembled EAN: 183598

Unassembled EAN: 188210
 Assembled EAN: 184212

Unassembled EAN: 187831
 Assembled EAN: 183833

MODEL ES10 – electrician

Unassembled EAN: 186469

Assembled EAN: 182461

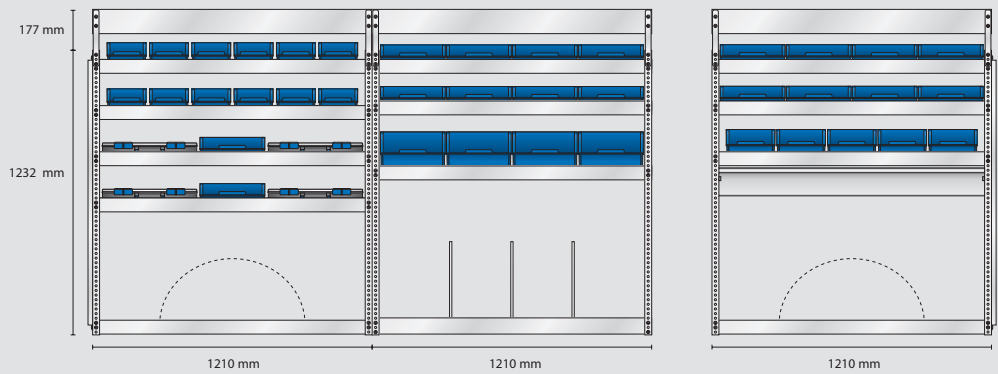
Content: 18 pcs. Shelf bin 4-800
 12 pcs. Shelf bin 5-600
 5 pcs. Shelf bin 6-1100
 4 pcs. Shelf bin 8-2000
 4 pcs. CarryLite 80-15
 1 pcs. Alu drawer
 2 pcs. Perforated panels

Total weight: 113,5 kg

S61 weight 39,7 kg

S86 weight 37,2 kg

S85 weight 36,9 kg



Unassembled EAN: 187602
 Assembled EAN: 183604

Unassembled EAN: 187855
 Assembled EAN: 183857

Unassembled EAN: 187848
 Assembled EAN: 183840

MODEL VS10 – plumber

Unassembled EAN: 186476

Assembled EAN: 182478

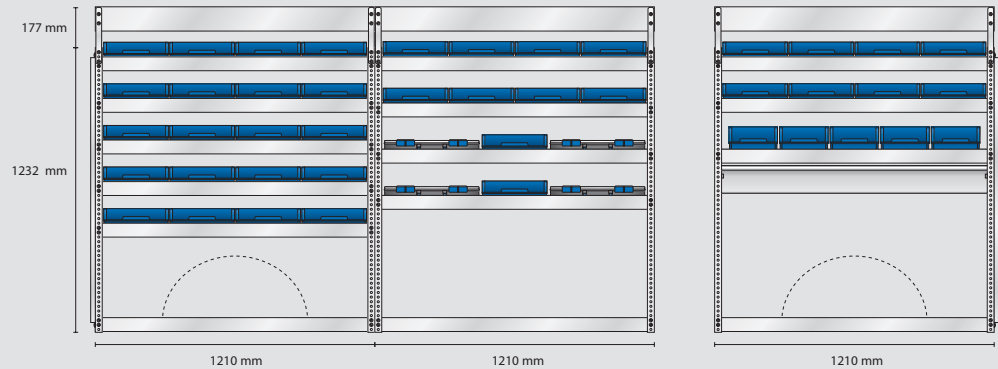
Content: 38 pcs. Shelf bin 4-800
 5 pcs. Shelf bin 6-1100
 4 pcs. CarryLite 80-15
 1 pcs. Alu drawer
 2 pcs. Perforated panels

Total weight: 115,8 kg

S62 weight 41,3 kg

S139 weight 37,9 kg

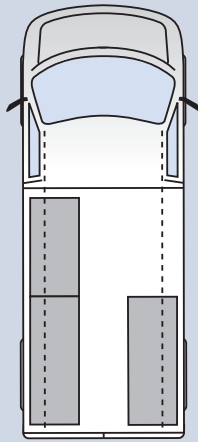
S85 weight 36,9 kg



Unassembled EAN: 187619
 Assembled EAN: 183611

Unassembled EAN: 188357
 Assembled EAN: 184359

Unassembled EAN: 187848
 Assembled EAN: 183840



The shelving position in the van

The depth of all modules is 380 mm.

Adjustment of end walls may be necessary.

Fits the following models

- Citroen Jumper L2/H2
- Fiat Ducato L2/H2
- Ford Transit 2T L2/H2
- Ford Transit 2T L2/H3
- Nissan Interstar L2/H2
- Opel Movano L2/H2
- Peugeot Boxer L2/H2
- Renault Master L2/H2
- Renault Master L2/H3

MODEL AS21 – alternative

Unassembled EAN: 186537

Assembled EAN: 182539

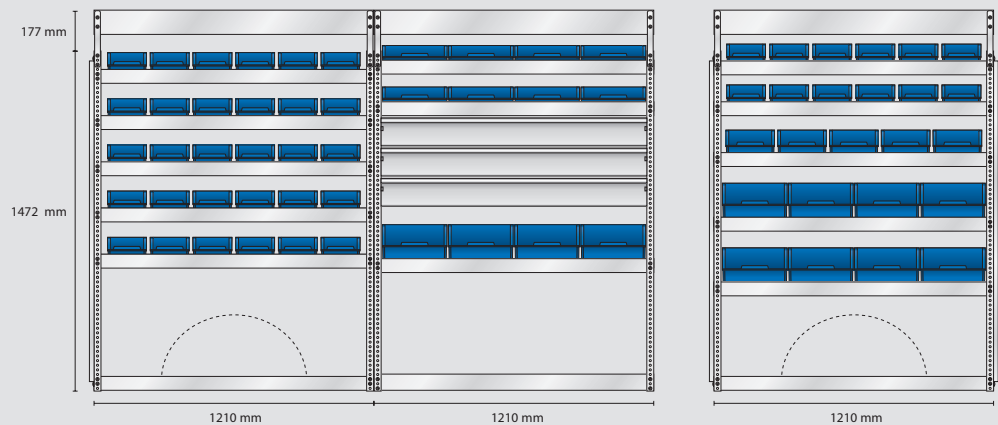
Content: 8 pcs. Shelf bin 4-800
 42 pcs. Shelf bin 5-600
 5 pcs. Shelf bin 6-1100
 12 pcs. Shelf bin 8-2000
 3 pcs. Alu drawers
 3 pcs. Perforated panels

Total weight: 137 kg

S74 weight 40,7 kg

S90 weight 48,3 kg

S76 weight 48,3 kg



Unassembled EAN: 187732

Assembled EAN: 183734

Unassembled EAN: 187893

Assembled EAN: 183895

Unassembled EAN: 187756

Assembled EAN: 183758

MODEL AS22 – alternative

Unassembled EAN: 186544

Assembled EAN: 182546

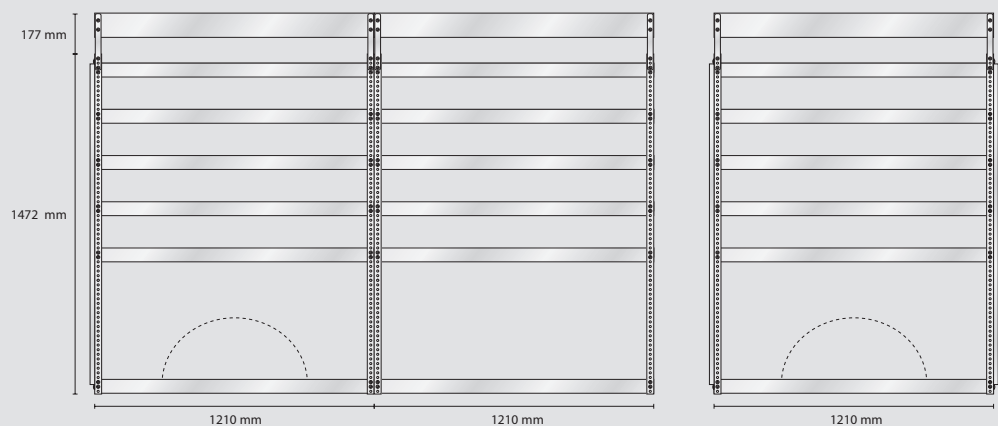
Content: 3 pcs. Perforated panels

Total weight: 91,8 kg

S77 weight 30,7 kg

S146 weight 28,9 kg

S123 weight 32,5 kg



Unassembled EAN: 187763

Assembled EAN: 183765

Unassembled EAN: 188425

Assembled EAN: 184427

Unassembled EAN: 188197

Assembled EAN: 184199

MODEL SS11 – standard

Unassembled EAN: 186506

Assembled EAN: 182508

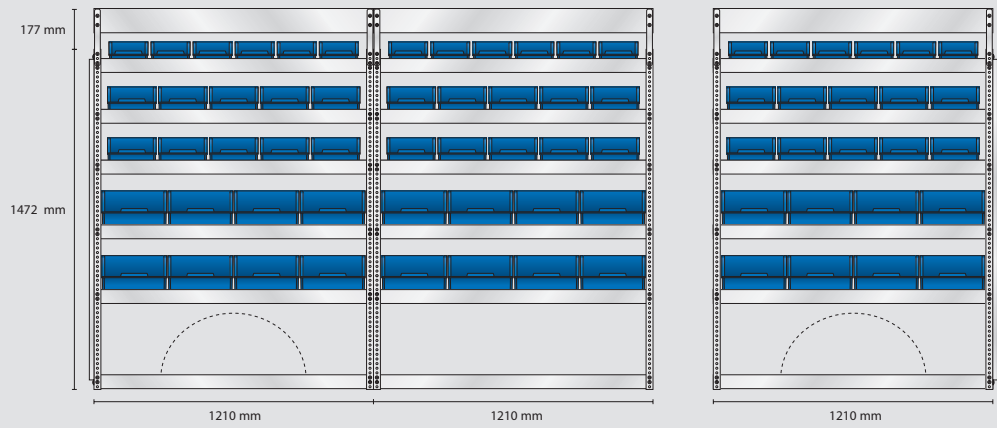
Content: 18 pcs. Shelf bin 5-600
30 pcs. Shelf bin 6-1100
24 pcs. Shelf bin 8-2000
2 pcs. Perforated panels

Total weight: 139,2 kg

S142 weight 47,1 kg

S87 weight 45,3 kg

S67 weight 47,1 kg



Unassembled EAN: 188388
Assembled EAN: 184380

Unassembled EAN: 187862
Assembled EAN: 183864

Unassembled EAN: 187664
Assembled EAN: 183666

MODEL ES11 – electrician

Unassembled EAN: 186513

Assembled EAN: 182515

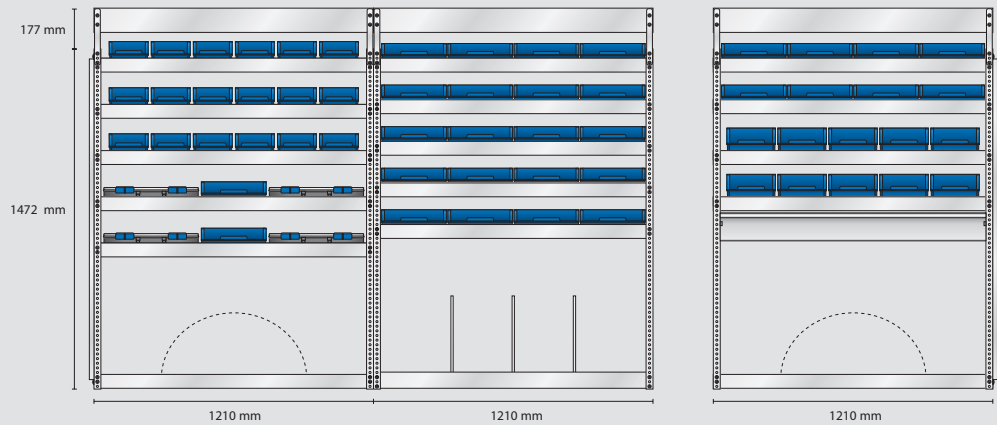
Content: 30 pcs. Shelf bin 4-800
18 pcs. Shelf bin 5-600
10 pcs. Shelf bin 6-1100
4 pcs. CarryLite 80-15
1 pcs. Alu drawer
2 pcs. Perforated panels

Total weight: 137,5 kg

S68 weight 46,3 kg

S88 weight 47,4 kg

S70 weight 44,1 kg



Unassembled EAN: 187671
Assembled EAN: 183673

Unassembled EAN: 187879
Assembled EAN: 183871

Unassembled EAN: 187695
Assembled EAN: 183697

MODEL VS11 – plumber

Unassembled EAN: 186520

Assembled EAN: 182522

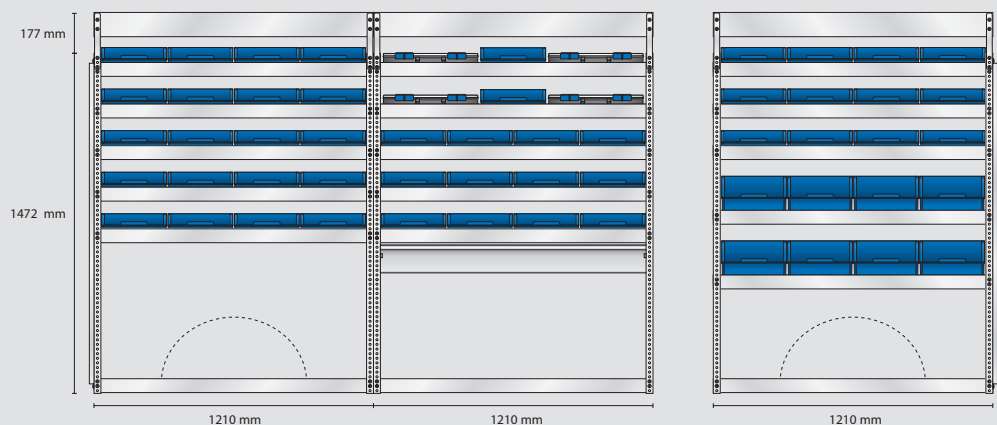
Content: 46 pcs. Shelf bin 4-800
8 pcs. Shelf bin 8-2000
4 pcs. CarryLite 80-15
1 pcs. Alu drawer
2 pcs. Perforated panels

Total weight: 138,2 kg

S71 weight 42,7 kg

S89 weight 49,9 kg

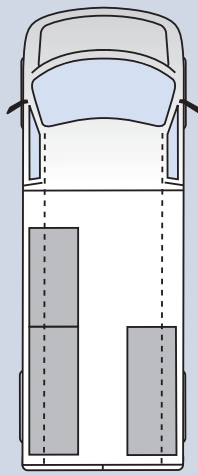
S143 weight 45,9 kg



Unassembled EAN: 187701
Assembled EAN: 183703

Unassembled EAN: 187886
Assembled EAN: 183888

Unassembled EAN: 188395
Assembled EAN: 184397



The shelving position in the van

The depth of all modules is 380 mm.
Adjustment of end walls may be necessary.

Fits the following models

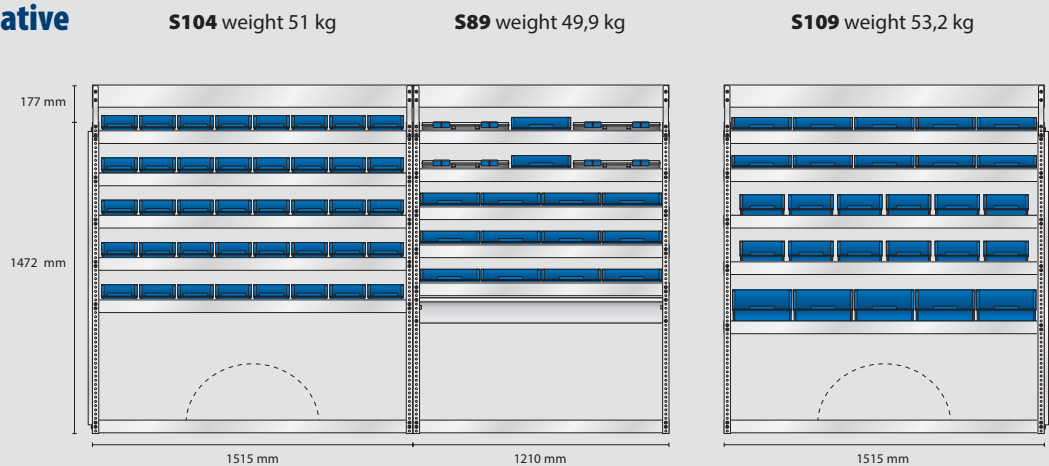
- Ford Transit 2T L3/H2
- Ford Transit 2T L3/H3
- Iveco Daily 10,8m3 L2/H2
- MAN TGE L3/H3
- Volkswagen Crafter L3/H3

MODEL AS29 – alternative

Unassembled EAN: 189132
Assembled EAN: 189149

- Content:
- 24 pcs. Shelf bin 4-800
 - 40 pcs. Shelf bin 5-600
 - 12 pcs. Shelf bin 6-1100
 - 5 pcs. Shelf bin 8-2000
 - 4 pcs. CarryLite 80-15
 - 1 pcs. Alu drawer
 - 2 pcs. Perforated panels

Total weight: 153,8 kg



Unassembled EAN: 188012
Assembled EAN: 184014

Unassembled EAN: 187886
Assembled EAN: 183888

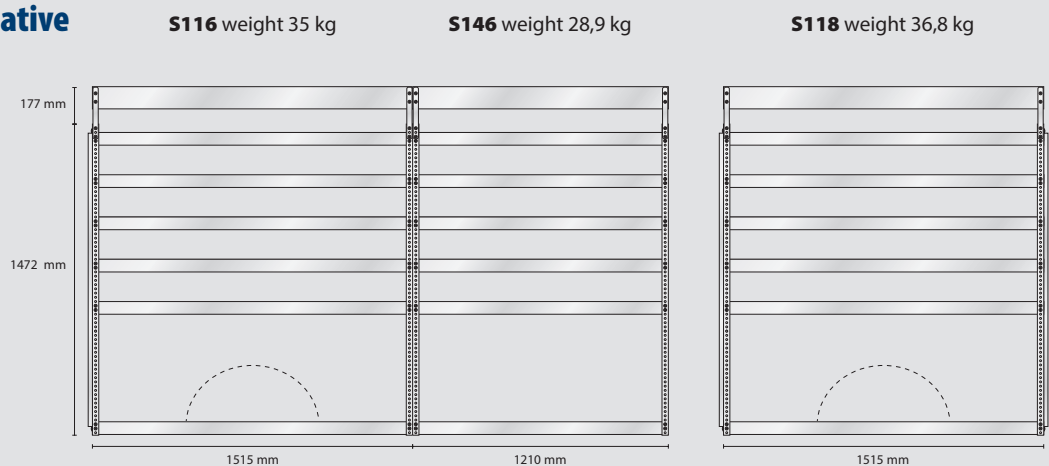
Unassembled EAN: 188067
Assembled EAN: 184069

MODEL AS30 – alternative

Unassembled EAN: 189156
Assembled EAN: 189163

- Content:
- 3 pcs. Perforated panels

Total weight: 100,4 kg

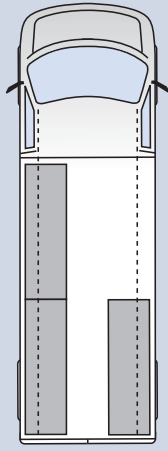


Unassembled EAN: 188135
Assembled EAN: 184137

Unassembled EAN: 188425
Assembled EAN: 184427

Unassembled EAN: 188159
Assembled EAN: 184151





The shelving position in the van

The depth of all modules is 380 mm.
Adjustment of end walls may be necessary.

Fits the following model

- Mercedes Sprinter L2/H1

MODEL AS23 – alternative

Unassembled EAN: 186582

Assembled EAN: 182584

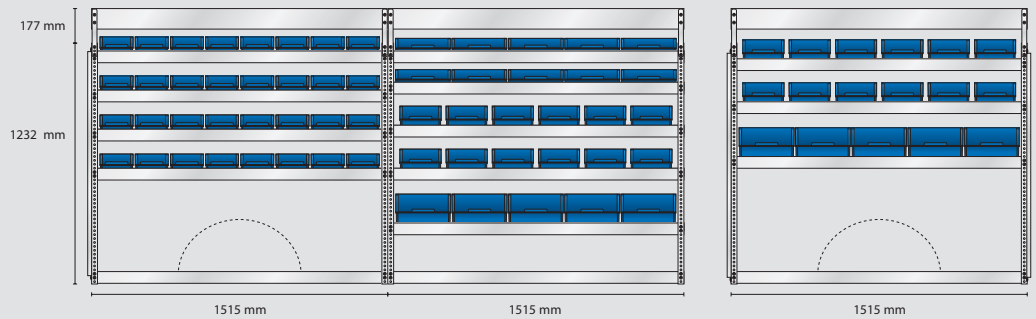
Content: 10 pcs. Shelf bin 4-800
32 pcs. Shelf bin 5-600
24 pcs. Shelf bin 6-1100
10 pcs. Shelf bin 8-2000
3 pcs. Perforated panels

Total weight: 133,2 kg

S91 weight 42,9 kg

S100 weight 50 kg

S145 weight 40,6 kg



Unassembled EAN: 187909

Assembled EAN: 183901

Unassembled EAN: 187992

Assembled EAN: 183994

Unassembled EAN: 188418

Assembled EAN: 184410

MODEL AS24 – alternative

Unassembled EAN: 186599

Assembled EAN: 182591

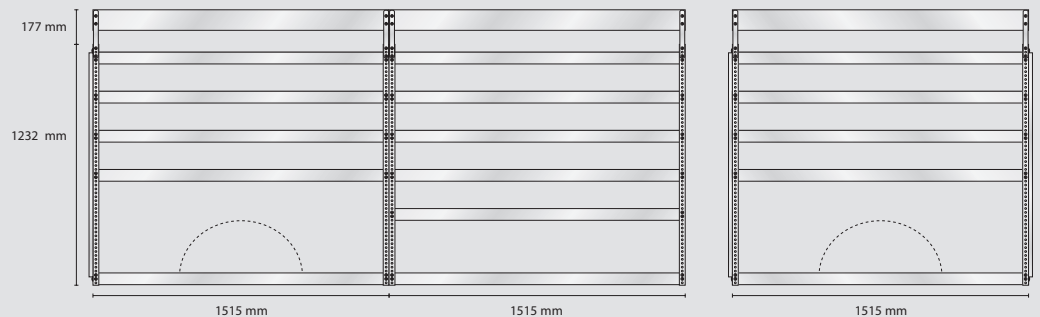
Content: 3 pcs. Perforated panels

Total weight: 93,5 kg

S101 weight 30,1 kg

S102 weight 31,8 kg

S103 weight 31,9 kg



Unassembled EAN: 188432

Assembled EAN: 184434

Unassembled EAN: 188449

Assembled EAN: 184441

Unassembled EAN: 188005

Assembled EAN: 184007

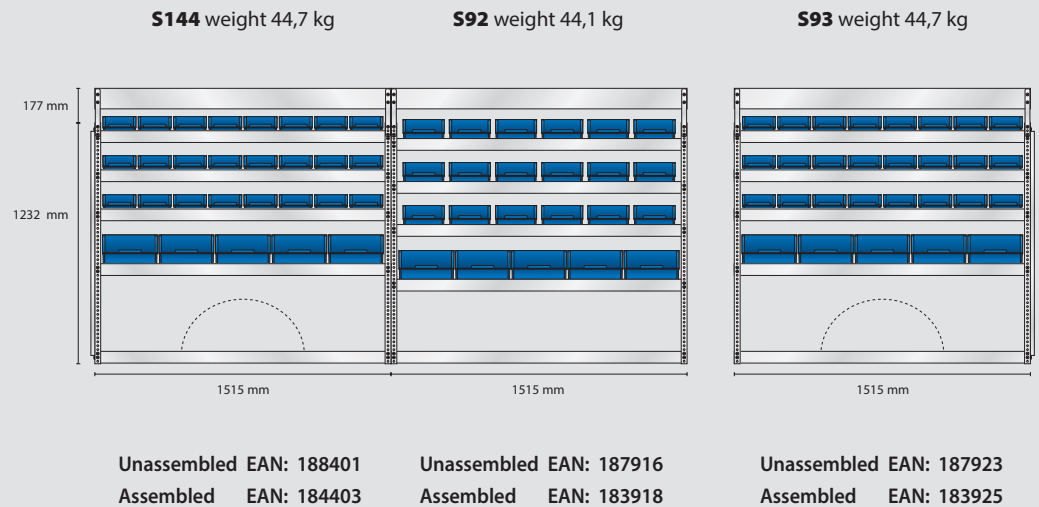
MODEL SS12 – standard

Unassembled EAN: 186551

Assembled EAN: 182553

Content: 48 pcs. Shelf bin 5-600
18 pcs. Shelf bin 6-1100
15 pcs. Shelf bin 8-2000
2 pcs. Perforated panels

Total weight: 133,2 kg



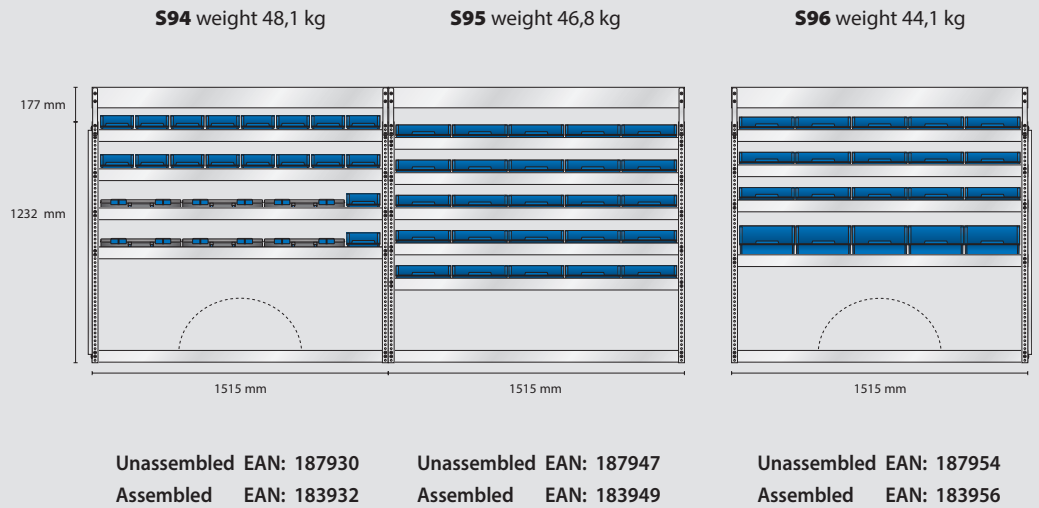
MODEL ES12 – electrician

Unassembled EAN: 186568

Assembled EAN: 182560

Content: 40 pcs. Shelf bin 4-800
18 pcs. Shelf bin 5-600
5 pcs. Shelf bin 8-2000
6 pcs. CarryLite 80-15
2 pcs. Perforated panels

Total weight: 138,7 kg



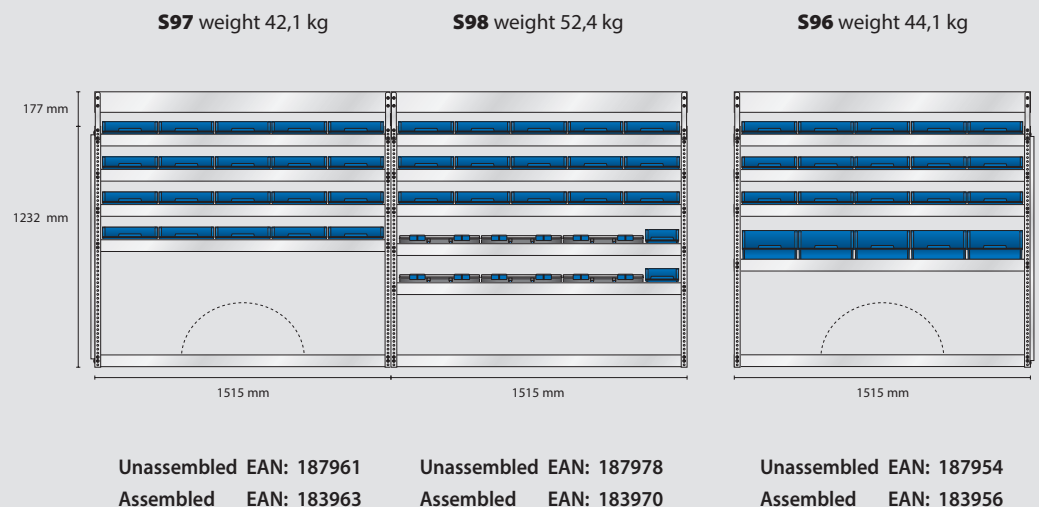
MODEL VS12 – plumber

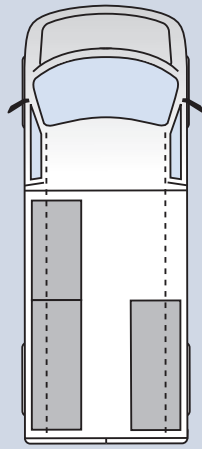
Unassembled EAN: 186575

Assembled EAN: 182577

Content: 50 pcs. Shelf bin 4-800
2 pcs. Shelf bin 5-600
5 pcs. Shelf bin 8-2000
6 pcs. CarryLite 80-15
2 pcs. Perforated panels

Total weight: 138,3 kg





The shelving position in the van

The depth of all modules is 380 mm.

Adjustment of end walls may be necessary.

Fits the following models

- Citroen Jumper L3/H2
- Fiat Ducato L3/H2
- Iveco Daily 12m3 L3/H2
- Mercedes Sprinter L2/H2
- Nissan Interstar L3/H2
- Opel Movano L3/H2
- Peugeot Boxer L3/H2
- Renault Master L3/H2
- Renault Master L3/H3

MODEL AS25 – alternative

Unassembled EAN: 186636

Assembled EAN: 182638

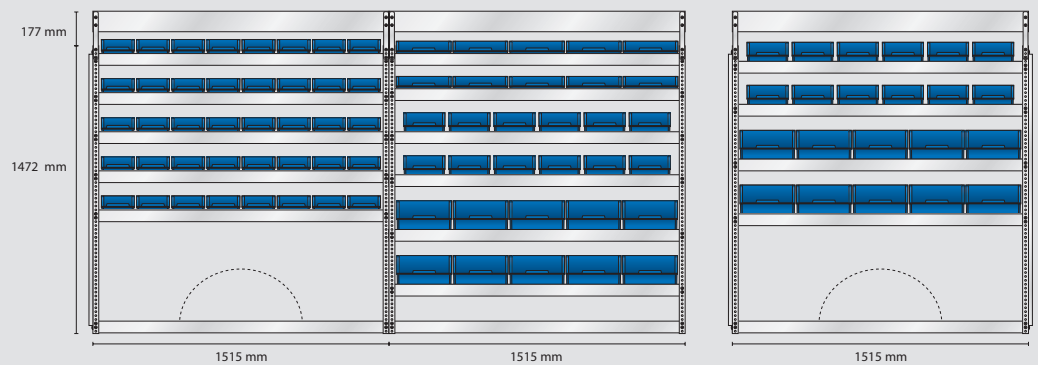
Content: 10 pcs. Shelf bin 4-800
 40 pcs. Shelf bin 5-600
 24 pcs. Shelf bin 6-1100
 20 pcs. Shelf bin 8-2000
 3 pcs. Perforated panels

Total weight: 161,1 kg

S104 weight 51 kg

S114 weight 59,9 kg

S115 weight 50,5 kg



Unassembled EAN: 188012
 Assembled EAN: 184014

Unassembled EAN: 188111
 Assembled EAN: 184113

Unassembled EAN: 188128
 Assembled EAN: 184120

MODEL AS26 – alternative

Unassembled EAN: 186643

Assembled EAN: 182645

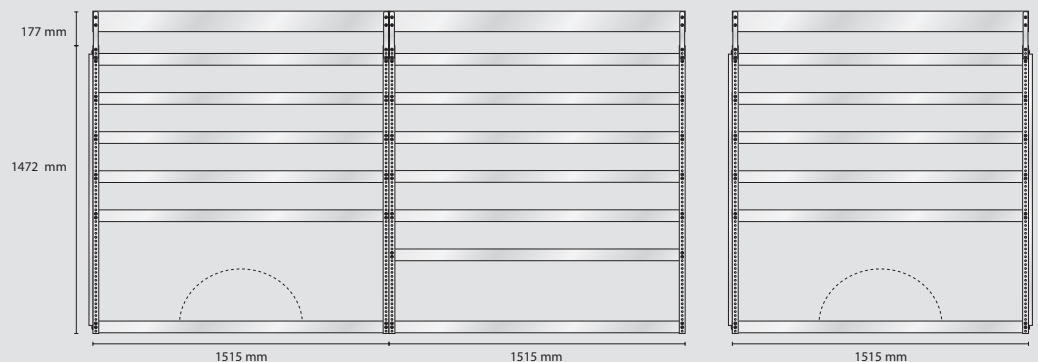
Content: 3 pcs. Perforated panels

Total weight: 108,2 kg

S116 weight 35 kg

S117 weight 36,7 kg

S118 weight 36,8 kg



Unassembled EAN: 188135
 Assembled EAN: 184137

Unassembled EAN: 188142
 Assembled EAN: 184144

Unassembled EAN: 188159
 Assembled EAN: 184151

MODEL SS13 – standard

Unassembled EAN: 186605

Assembled EAN: 182607

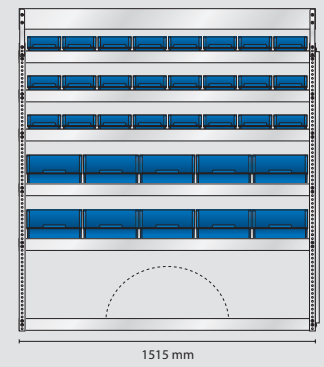
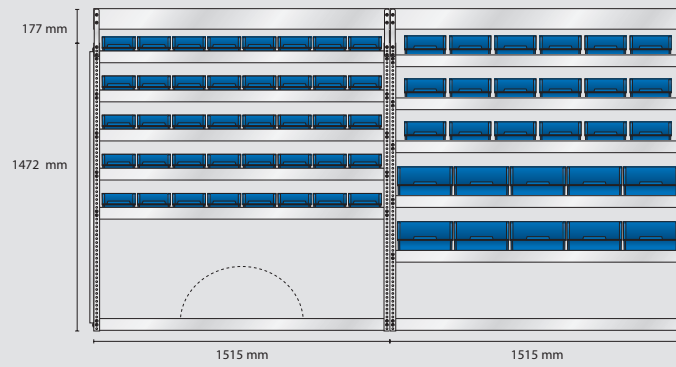
Content: 64 pcs. Shelf bin 5-600
18 pcs. Shelf bin 6-1100
20 pcs. Shelf bin 8-2000
2 pcs. Perforated panels

Total weight: 159,3 kg

S104 weight 51 kg

S105 weight 54 kg

S106 weight 54,6 kg



Unassembled EAN: 188012
Assembled EAN: 184104

Unassembled EAN: 188029
Assembled EAN: 184021

Unassembled EAN: 188036
Assembled EAN: 184038

MODEL ES13 – electrician

Unassembled EAN: 186612

Assembled EAN: 182614

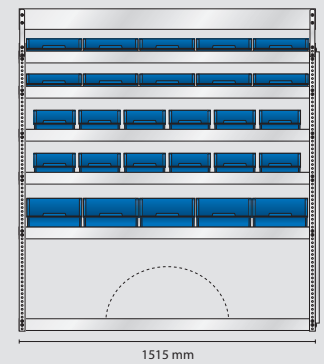
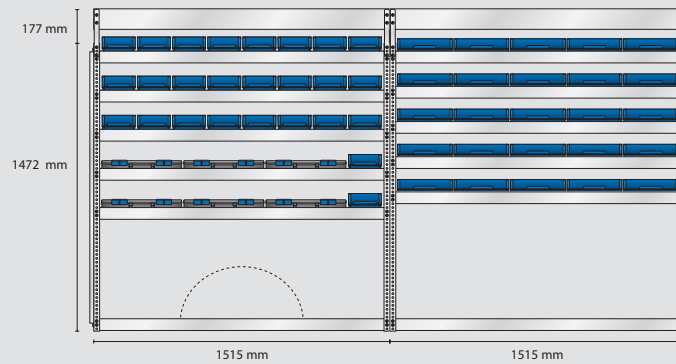
Content: 35 pcs. Shelf bin 4-800
26 pcs. Shelf bin 5-600
12 pcs. Shelf bin 6-1100
5 pcs. Shelf bin 8-2000
6 pcs. CarryLite 80-15
2 pcs. Perforated panels

Total weight: 157,3 kg

S107 weight 56,2 kg

S108 weight 48,2 kg

S109 weight 53,2 kg



Unassembled EAN: 188043
Assembled EAN: 184045

Unassembled EAN: 188050
Assembled EAN: 184052

Unassembled EAN: 188067
Assembled EAN: 184069

MODEL VS13 – plumber

Unassembled EAN: 186629

Assembled EAN: 182621

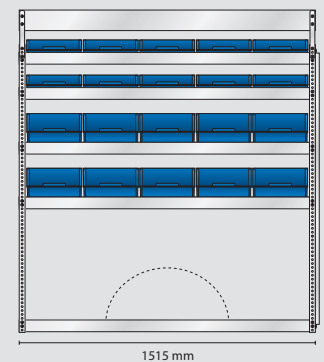
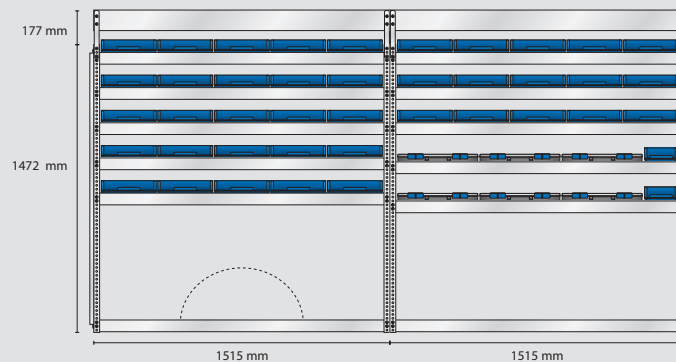
Content: 50 pcs. Shelf bin 4-800
2 pcs. Shelf bin 5-600
10 pcs. Shelf bin 8-2000
6 pcs. CarryLite 80-15
2 pcs. Perforated panels

Total weight: 151 kg

S110 weight 50 kg

S111 weight 53,8 kg

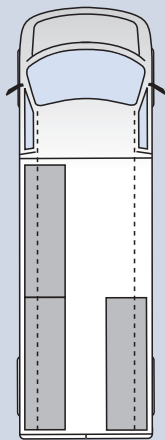
S112 weight 47,5 kg



Unassembled EAN: 188074
Assembled EAN: 184076

Unassembled EAN: 188081
Assembled EAN: 184083

Unassembled EAN: 188098
Assembled EAN: 184090



The shelving position in the van

The depth of all modules is 380 mm.

Adjustment of end walls may be necessary.

Fits the following models

- Iveco Daily 13,4m³ L3/H3
- Opel Movano L3/H3

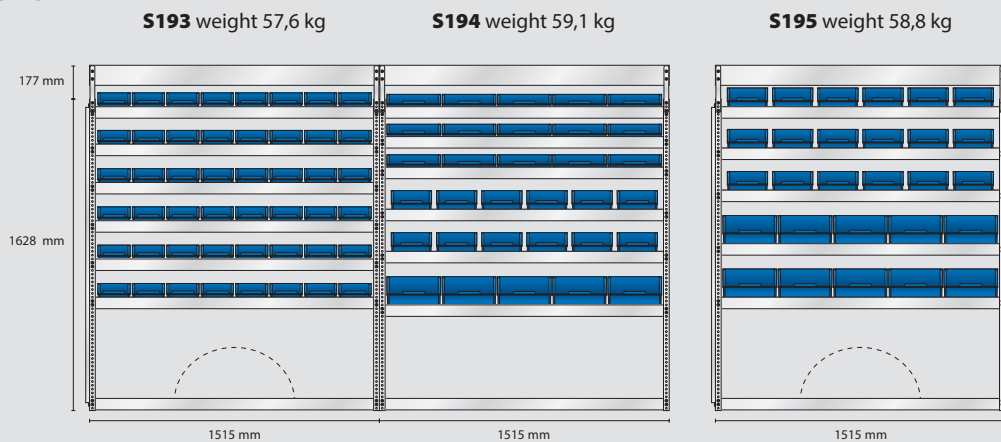
MODEL AS31 – alternative

Unassembled EAN: 188777

Assembled EAN: 188784

Content: 15 pcs. Shelf bin 4-800
 48 pcs. Shelf bin 5-600
 30 pcs. Shelf bin 6-1100
 15 pcs. Shelf bin 8-2000
 3 pcs. Perforated panels

Total weight: 175,2 kg



S193 weight 57,6 kg

S194 weight 59,1 kg

S195 weight 58,8 kg

Unassembled EAN: 188715

Assembled EAN: 188722

Unassembled EAN: 188739

Assembled EAN: 188746

Unassembled EAN: 188753

Assembled EAN: 188760

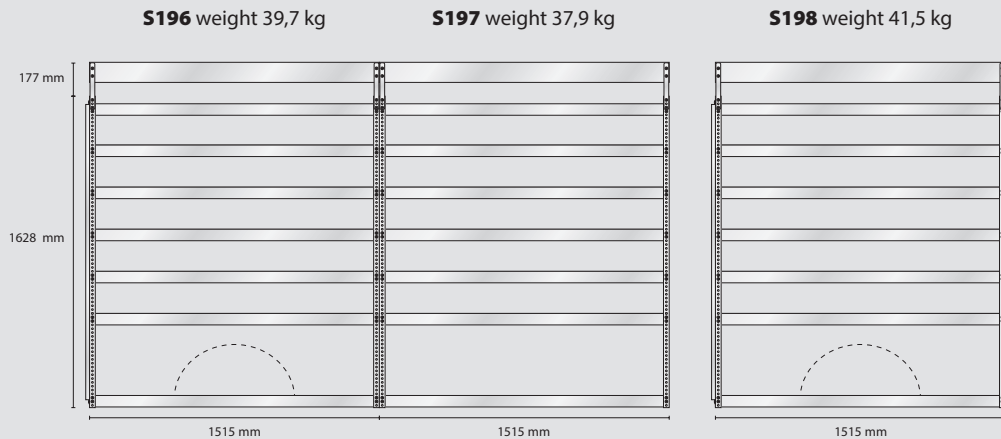
MODEL AS32 – alternative

Unassembled EAN: 188852

Assembled EAN: 188869

Content: 3 pcs. Perforated panels

Total weight: 118,8 kg



S196 weight 39,7 kg

S197 weight 37,9 kg

S198 weight 41,5 kg

Unassembled EAN: 188791

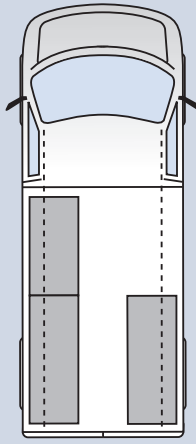
Assembled EAN: 188807

Unassembled EAN: 188814

Assembled EAN: 188821

Unassembled EAN: 188838

Assembled EAN: 188845



The shelving position in the van

The depth of all modules is 380 mm.
Adjustment of end walls may be necessary.

Fits the following models

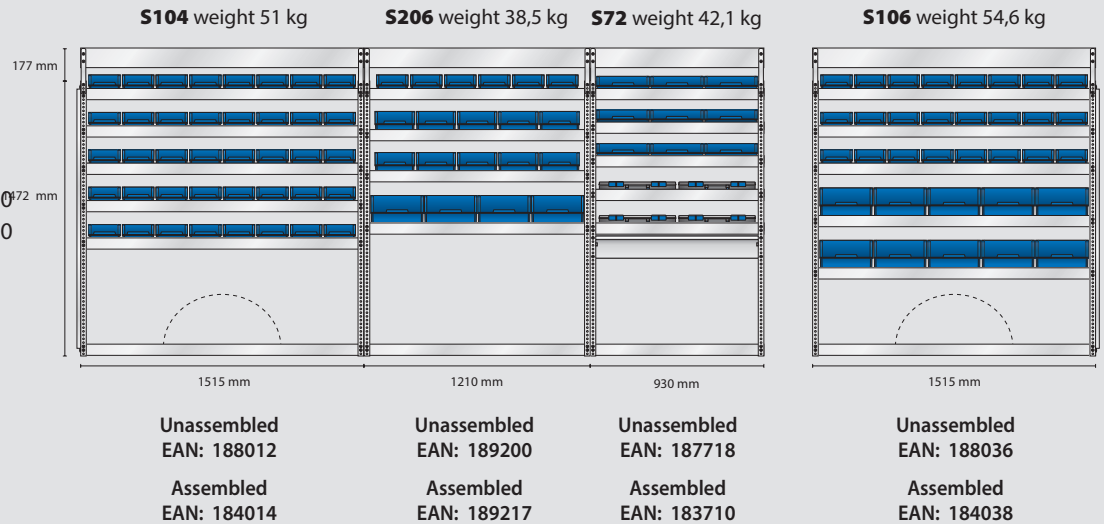
- Mercedes Sprinter L3/H2
- Mercedes Sprinter L4/H2
- Volkswagen Crafter L4/H3
- Volkswagen Crafter L5/H3

MODEL AS33 – alternative

Unassembled EAN: 188876
Assembled EAN: 188883

Content: 9 pcs. Shelf bin 4-800
70 pcs. Shelf bin 5-600
10 pcs. Shelf bin 6-1100
14 pcs. Shelf bin 8-2000
2 pcs. Perforated panels

Total weight: 185,6 kg



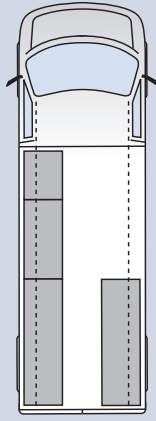
MODEL AS34 – alternative

Unassembled EAN: 188890
Assembled EAN: 188906

Content: 3 pcs. Perforated panels

Total weight: 124,7 kg





The shelving position in the van

The depth of all modules is 380 mm.
Adjustment of end walls may be necessary.

Fits the following models

- Ford Transit 2T L4/H3
- Mercedes Sprinter L3/H3
- MAN TGE L4/H3
- Mercedes Sprinter L4/H3
- MAN TGE L5/H3

MODEL AS35 – alternative

Unassembled EAN: 188951
Assembled EAN: 188968

Content: 12 pcs. Shelf bin 4-800
48 pcs. Shelf bin 5-600
40 pcs. Shelf bin 6-1100
16 pcs. Shelf bin 8-2000
1 pcs. Alu drawer
3 pcs. Perforated panels

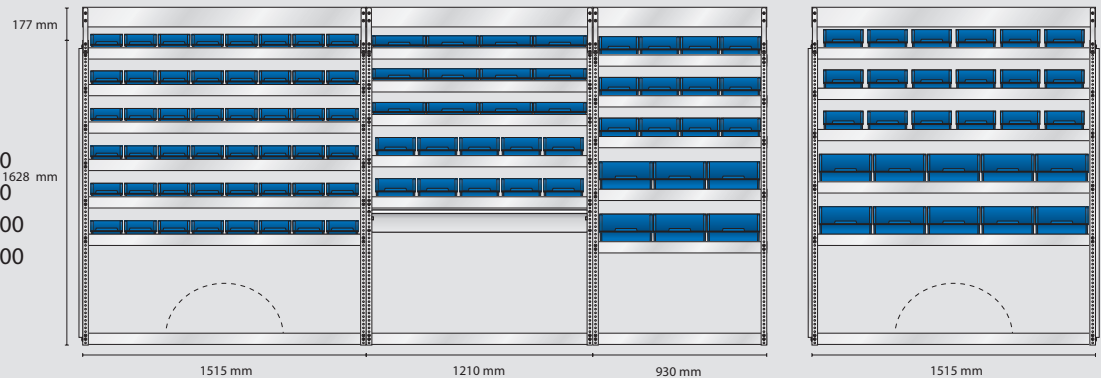
Total weight: 203,5 kg

S193 weight 57,6 kg

S199 weight 48,7 kg

S200 weight 39 kg

S195 weight 58,8 kg



Unassembled
EAN: 188715

Assembled
EAN: 188722

Unassembled
EAN: 188913

Assembled
EAN: 188920

Unassembled
EAN: 188937

Assembled
EAN: 188944

Unassembled
EAN: 188753

Assembled
EAN: 188760

MODEL AS36 – alternative

Unassembled EAN: 189019
Assembled EAN: 189026

Content: 3 pcs. Perforated panels

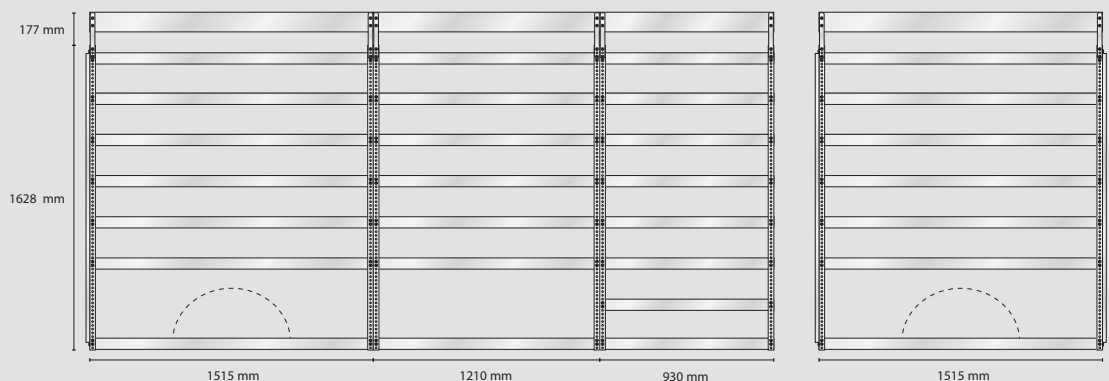
Total weight: 143,5 kg

S196 weight 39,7 kg

S201 weight 32,9 kg

S202 weight 30 kg

S198 weight 41,5 kg



Unassembled
EAN: 188791

Assembled
EAN: 188807

Unassembled
EAN: 188975

Assembled
EAN: 188982

Unassembled
EAN: 188999

Assembled
EAN: 189002

Unassembled
EAN: 188838

Assembled
EAN: 188845



MODULES FOR SCREWS AND NAILS

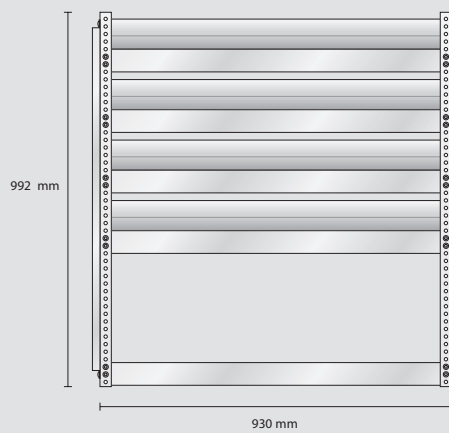
MODEL S178 – Shelving for screws

Unassembled
EAN: 188579

Assembled
EAN: 184571

Total weight: 18,3 kg

Content: 4 pcs. Angled shelves
2 pcs. End walls
1 pcs. Bottom angle
1 pcs. Perforated panel



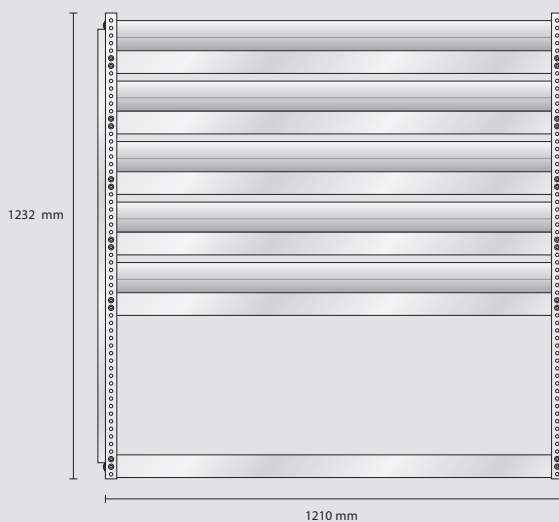
MODEL S179 – Shelving for screws

Unassembled
EAN: 188586

Assembled EAN: 184588

Total weight: 26,1 kg

Content: 5 pcs. Angled shelves
2 pcs. End walls
1 pcs. Bottom angle
1 pcs. Perforated panel



SHELVING FOR BOXXSER



992 mm

486 mm

MODEL S217 – Boxxser shelving

Unassembled
EAN: 189378

Assembled
EAN: 189392

Content:
2 pcs. Boxxser 55 5x10-25
5 pcs. Boxxser 80 5x10-14
7 sets Rails

Total weight: 25,8 kg



992 mm

486 mm

MODEL S216 – Boxxser shelving

Unassembled
EAN: 189361

Assembled
EAN: 189385

Content:
7 sets Rails

Total weight: 12,2 kg



SHELVING FOR CARRYLITE



992 mm

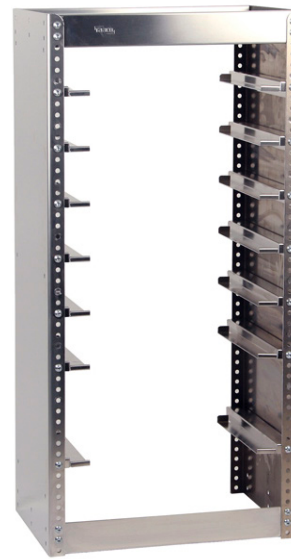
486 mm

MODEL S295 – CarryLite shelving

Assembled
EAN: 190053

Content:
1 pcs. CarryLite 55-25/2
5 pcs. CarryLite 80-15
1 pcs. CarryLite 150-9
7 sets Rails

Total weight: 25,6 kg



992 mm

486 mm

MODEL S192 – CarryLite shelving

Unassembled
EAN: 185745
Assembled
EAN: 184656

Content:
7 sets Rails

Total weight: 12,1 kg



992 mm

486 mm

MODEL S294 – CarryLite shelving

Assembled
EAN: 190046

Content:
5 pcs. CarryLite 150-9
5 sets Rails

Total weight: 19,0 kg



SHELVING FOR CARRYLITE



992 mm

486 mm

MODEL S297
– CarryLite shelving

Assembled
EAN: 190121

Content:
4 pcs. CarryLite 80-15
3 pcs. CarryLite 150-9
7 sets Rails

Total weight: 26,3 kg



992 mm

486 mm

MODEL S296
– shelving

Assembled
EAN: 190107

Content:
3 pcs. Alu drawers, low
3 pcs. Alu drawers, deep

Total weight: 40,18 kg



992 mm

486 mm

MODEL S298
– CarryLite shelving

Assembled
EAN: 190114

Content:
8 pcs. CarryLite 80-15
8 sets Rails

Total weight: 29,5 kg



992 mm

486 mm

MODEL S299
– CarryLite shelving

Assembled
EAN: 190091

Content:
4 pcs. CarryLite 55-25/2
5 pcs. CarryLite 80-15
9 sets Rails

Total weight: 31,13 kg

ACCESSORIES



TOOL WALL PANELS AND ACCESORIES

SuperClip and holders so you can create manageable storage solutions for tools, accessories and much more.

- 1 121545 Clipset 81 (81 ass. clips)
- 2 121538 Clipset 51 (51 ass. clips)
- 3 100526 Clipset 14 (14 ass. clips)
- 4 108928 Clip 10 (4 pcs.)
- 5 471220 Hook for bag
- 6 472104 Can holder for 3 cans
- 7 471176 Angle grinder holder
- 8 470728 Cable holder
- 9 136839 raacoFix, Small
- 10 136822 raacoFix, Large
- 11 475266 Can holder
 - 471275 Tool wall panel for shelving side panel, 900 mm
 - 470551 Tool wall panel for shelving side panel, 992 mm
 - 470568 Tool wall panel for shelving side panel, 1232 mm

ACCESSORIES FOR TOP BOX

- 12 471114 U-profil for top box
- 13 136662 Bin 5-460 for top box, HxBxD=126x125x300 mm
- 14 472005 An opening flap for top box

ACCESORIES FOR ALU DRAWER

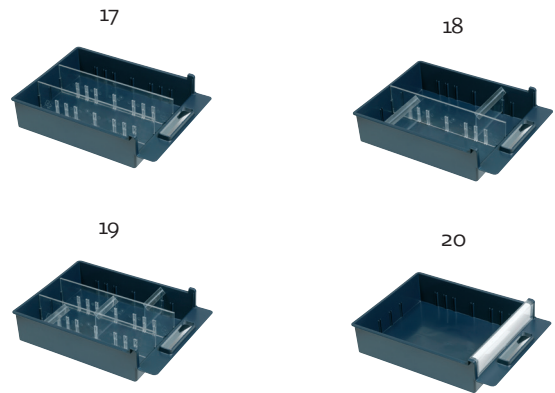
- 15 470940 Divider for alu drawer
- 16 185257 Set of inserts: 8xBA6-1 + 16xBA7-1 + 9xBA8-3



ACCESSORIES FOR BIN 4-800

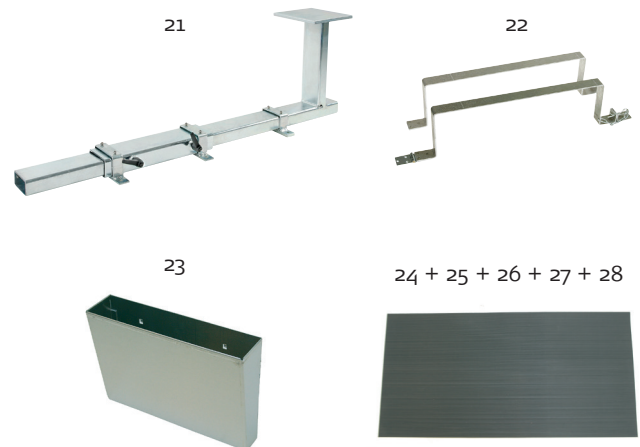
The bin can be divided using dividers and can be fixed with a front plate and label.

- 17 107617 4-800 divider, large, 12 pcs./bag
- 18 108003 4-800 divider, medium, 24 pcs./bag
- 19 108010 4-800 divider, small, 36 pcs./bag
- 20 107600 4-800 front plate/label, 6 pcs./bag



OTHER ACCESSORIES

- 21 470780 Vice holder
- 22 475228 Ladder holder
- 23 472128 Document holder, end wall



RUBBERMATS FOR SHELVES

Non-slip and silencer.

- 24 475303 Rubbermat, 630 mm
- 25 475310 Rubbermat, 930 mm
- 26 475327 Rubbermat, 1070 mm
- 27 475334 Rubbermat, 1210 mm
- 28 475341 Rubbermat, 1515 mm

Certified since 1994!

raaco A/S is a Danish-owned company known for traditions of innovative design, durable and sustainable products of high quality.

As a production company located at Lolland-Falster in Denmark, we are very aware of our impact on the environment around us.

We continuously work to reduce our emissions to air, water and soil. In order to ensure constant high quality of our products, it was obvious to get certified in ISO 9001 in 1994 and our respect for the environment was confirmed by certification in ISO 14001 in 1999.

Certification in ISO 45001 with ISO 45003 in 2019/2021 was a logical extension of our mission to produce quality products in a sustainable environment with respect for our surroundings and employees.



Limit TCO and make your working day easy and efficient!

With raaco van equipment, we offer you a customized solution for your van based on the needs you have in your working day. At the same time, we ensure you a low TCO.

raaco van equipment consists of modules and accessories produced in robust and durable materials - all made in Denmark!

We help you to create order, get an overview of your tools, work materials and accessories, so that you can easily and efficiently solve your work tasks at your customers.



Flexibility and security

- ✓ **Overview** - Save time and increase your efficiency
- ✓ **Flexible** - Easy to adapt the equipment, if your needs change
- ✓ **Crash test** - TÜV certified which means security for you if an accident happens
- ✓ **Low weight** - Produced in aluminium, it therefore minimally affects the payload of your van

Let us find a solution for you - and optimize your working day!
Contact our Sales for further information

Gareth John, General Sales Manager
Tel: +44 7919151687
E-mail: gj@raaco.com

Simon Copperwheat, Key Account Manager
Tel: +44 7585606961
E-mail: sc@raaco.com



THE GLOBAL

For Sustainable Development



3 GOOD HEALTH AND WELL-BEING



9 INDUSTRY, INNOVATION AND INFRASTRUCTURE



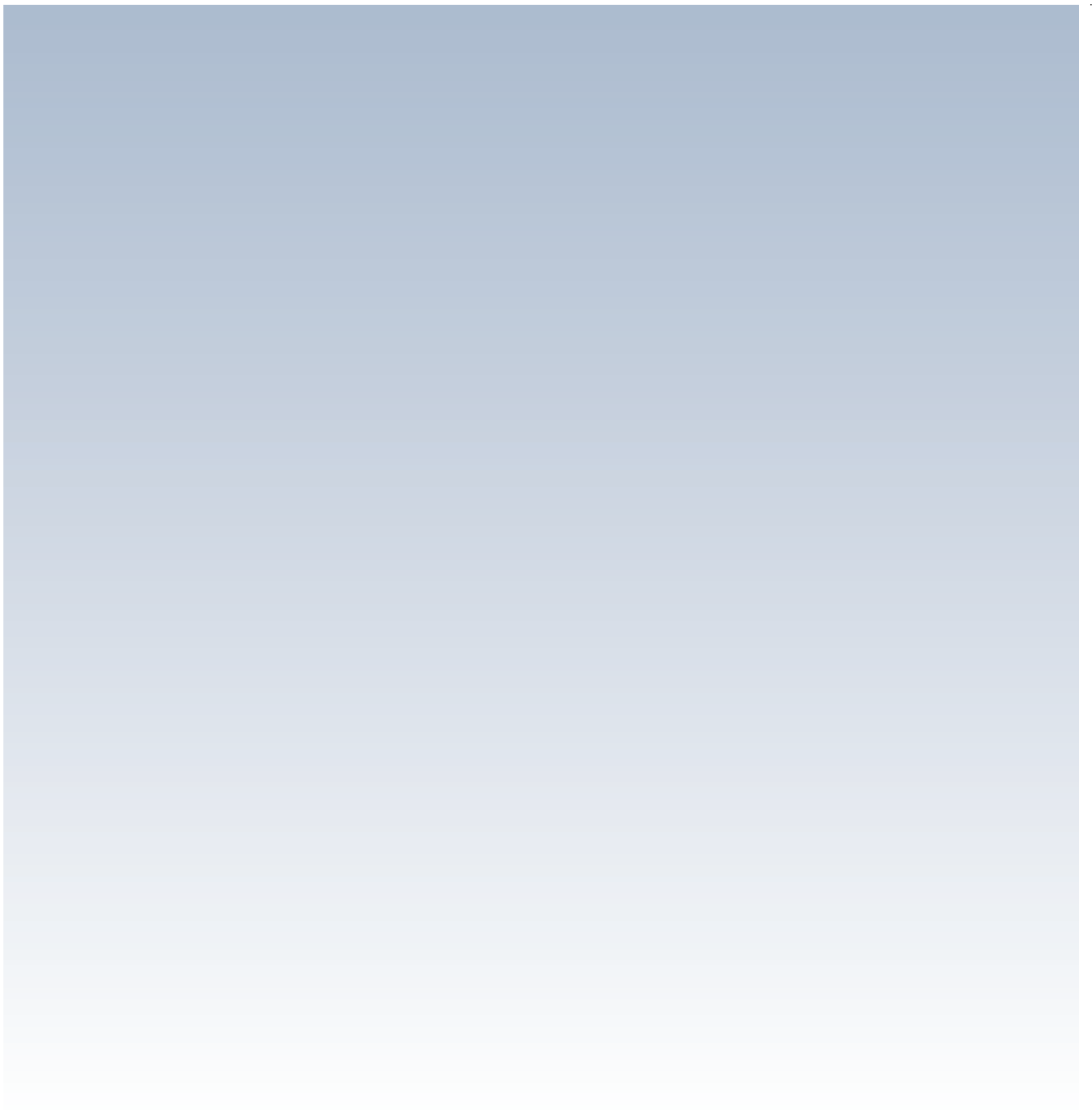
12 RESPONSIBLE CONSUMPTION AND PRODUCTION

Since 1956, raaco has developed and manufactured innovative and durable storage systems, which are designed for order and overview - this saves time, space and money.

With a wide range of mobile and stationary storage systems and, where products can be used across systems, it helps to create a more efficient working day for professional craftsmen.

raaco has its own production in Denmark and supports the principles of UN Global Goals. The company works continuously on various environmental projects with focus on:

- 3 › Good health and well-being
- 9 › Industry, Innovation and Infrastructure
- 12 › Responsible consumption and production





Professional storage systems since 1956

raaco Great Britain Ltd. • Wenrisc House, Meadow Court • High Street, Witney • GB-Oxon OX28 6ER
www.raaco.com