



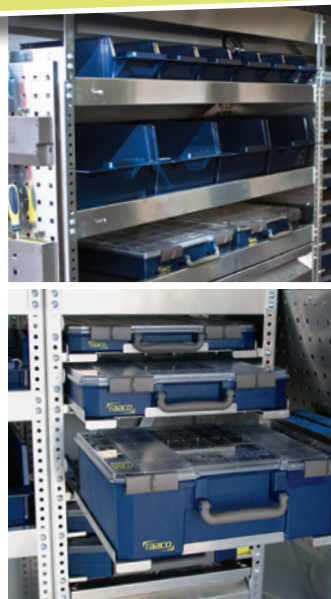
VW TRANSPORTER L1H1

raaco van equipment is Danish first class quality and design!

raaco van equipment is made of lightweight aluminium and is built up from a variety of flexible modules, which are easily installed in the van. You can choose between raaco standard modules or a customized solution, which is made to suit your exact needs.

A wide range of bins and assortment boxes are available for each module, made from robust, high grade plastic. The system gives you a quick overview and direct access to the contents, so you can work effectively throughout the day.

With raaco van equipment you get a robust, durable solution for your mobile workplace.



MODEL AS7 – alternative

- Content: 6 pcs. 4-800
- 13 pcs. 5-600
- 6 pcs. 8-2000
- 2 pcs. CarryLite 80-15
- 3 pcs. Bins
- 3 pcs. Perforated panels

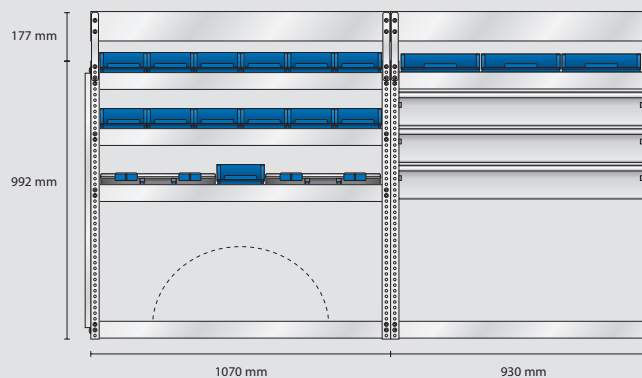
Total weight: 86,9 kg

Total EAN: 182188

S30 weight 28,9 kg

S39 weight 30,3 kg

S40 weight 28 kg



MODEL AS8 – alternative

- Content: 3 pcs. Perforated panels

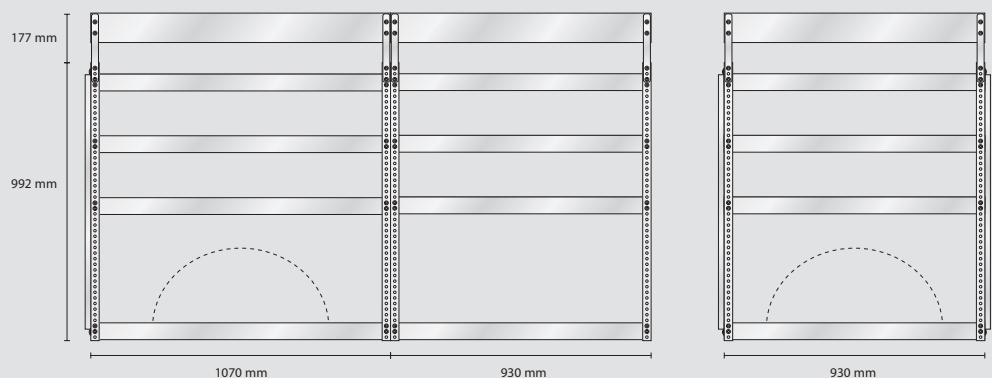
Total weight: 57,4 kg

Total EAN: 182195

S41 weight 20,1 kg

S126 weight 17,4 kg

S127 weight 20,2 kg



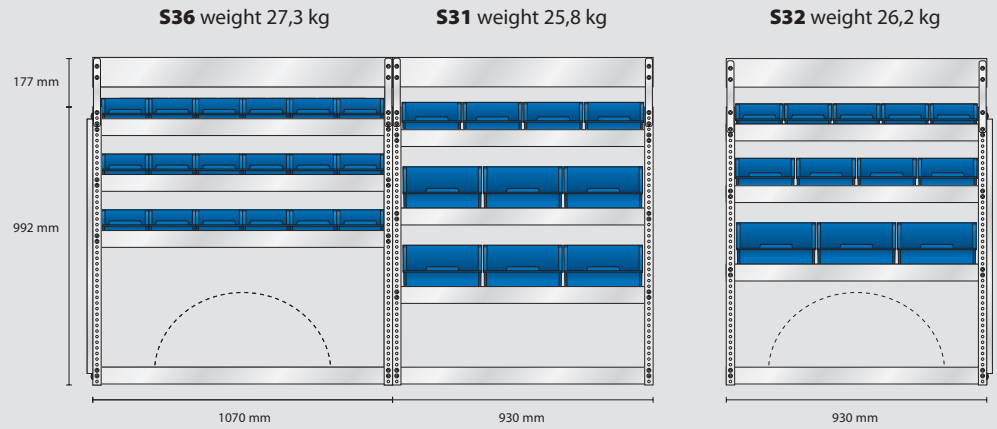
VW TRANSPORTER L1H1

MODEL SS4 – standard

Content: 23 pcs. 5-600
 8 pcs. 6-1100
 9 pcs. 8-2000
 2 pcs. Perforated panels

Total weight: 79 kg

Total EAN: 182157

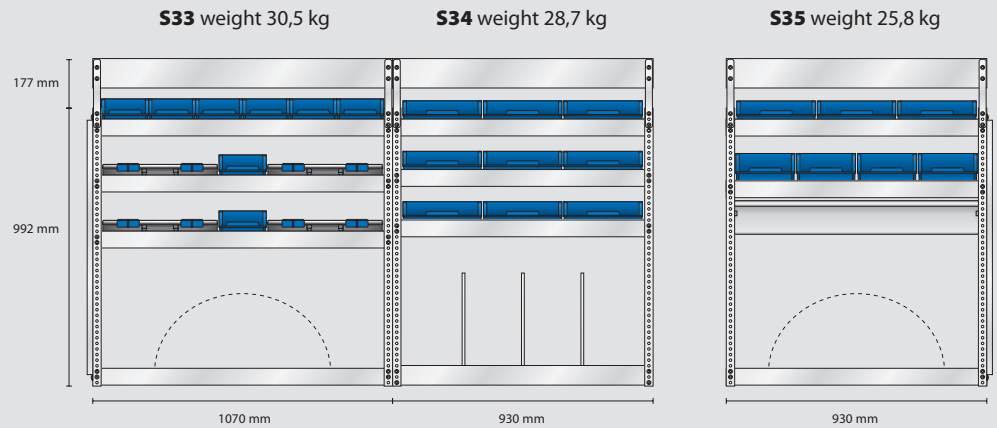


MODEL ES4 – electrician

Content: 12 pcs. 4-800
 8 pcs. 5-600
 4 pcs. 6-1100
 4 pcs. CarryLite 80-15
 1 pcs. Bin
 2 pcs. Perforated panels

Total weight: 84,7 kg

Total EAN: 182164



MODEL VS4 – plumber

Content: 15 pcs. 4-800
 18 pcs. 5-600
 2 pcs. CarryLite 80-15
 1 pcs. Bin
 2 pcs. Perforated panels

Total weight: 80,7 kg

Total EAN: 182171

