



## RENAULT TRAFFIC L1H1

**raaco van equipment is Danish first class quality and design!**

raaco van equipment is made of lightweight aluminium and is built up from a variety of flexible modules, which are easily installed in the van. You can choose between raaco standard modules or a customized solution, which is made to suit your exact needs.

A wide range of bins and assortment boxes are available for each module, made from robust, high grade plastic. The system gives you a quick overview and direct access to the contents, so you can work effectively throughout the day.

**With raaco van equipment you get a robust, durable solution for your mobile workplace.**



### MODEL AS27 – alternative

- Content: 6 pcs. 4-800
- 5 pcs. 5-600
- 4 pcs. 6-1100
- 9 pcs. 8-2000
- 3 pcs. Bins
- 3 pcs. Perforated panels

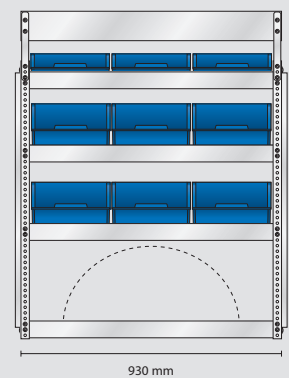
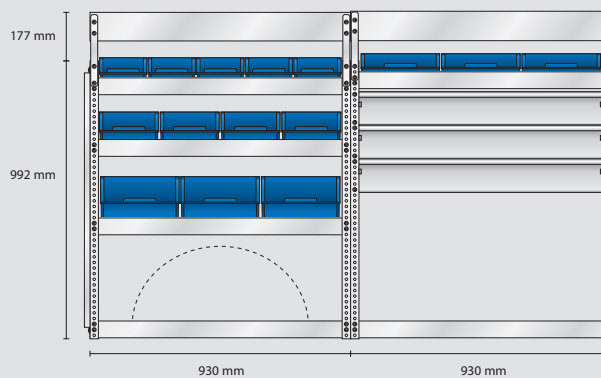
Total weight: 84,2 kg

Total EAN: 182652

**S189** weight 26,2 kg

**S39** weight 30,3 kg

**S40** weight 28 kg



### MODEL AS28 – alternative

- Content: 3 pcs. Perforated panels

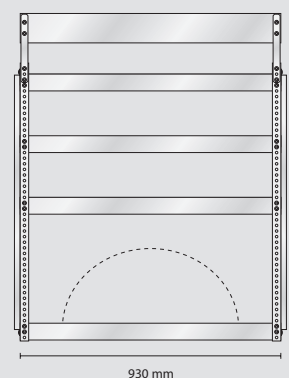
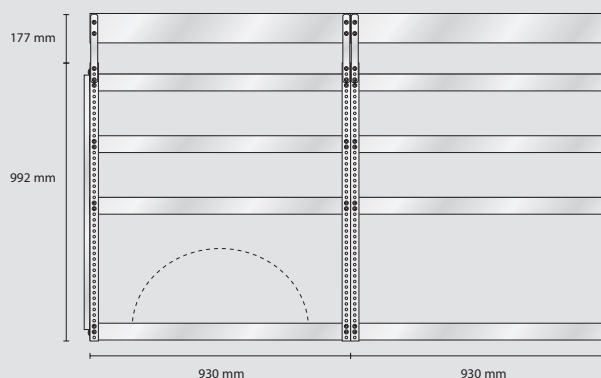
Total weight: 56,1 kg

Total EAN: 182669

**S190** weight 18,8 kg

**S126** weight 17,4 kg

**S127** weight 20,2 kg



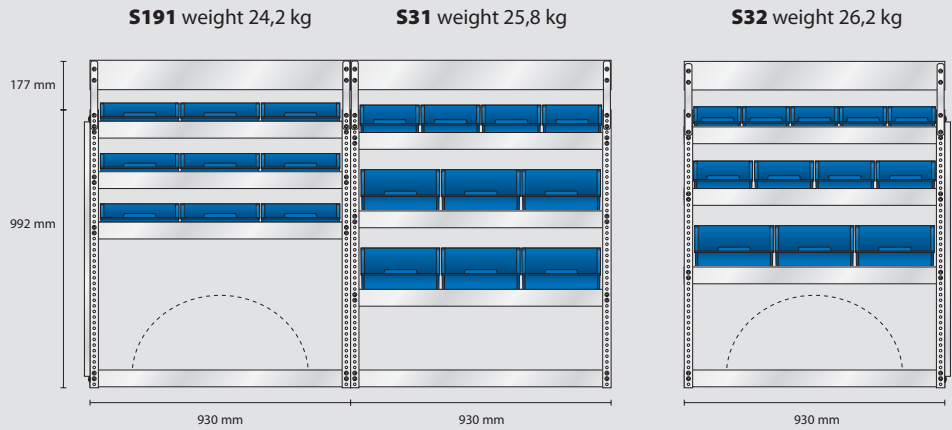
## RENAULT TRAFFIC L1H1

### MODEL SS14 – standard

Content: 9 pcs. 4-800  
 5 pcs. 5-600  
 8 pcs. 6-1100  
 9 pcs. 8-2000  
 2 pcs. Perforated panels

Total weight: 75,9 kg

Total EAN: 182676

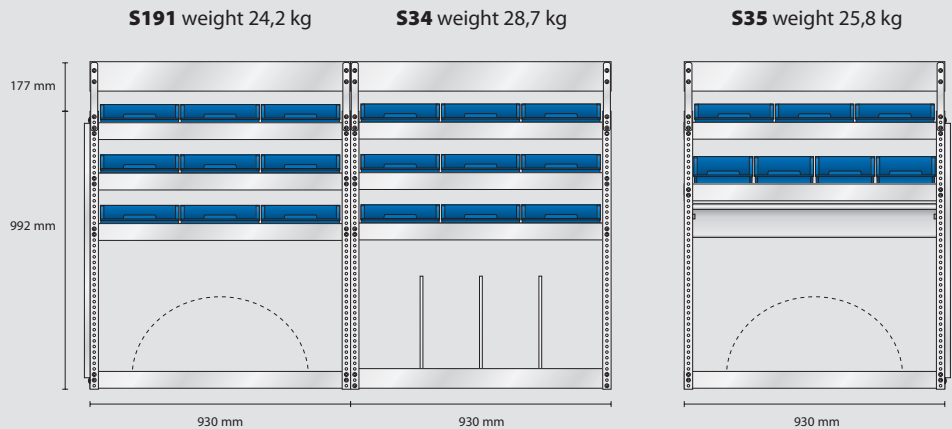


### MODEL ES14 – electrician

Content: 21 pcs. 4-800  
 4 pcs. 6-1100  
 1 pcs. Bin  
 2 pcs. Perforated panels

Total weight: 78,4 kg

Total EAN: 182683



### MODEL VS14 – plumber

Content: 15 pcs. 4-800  
 5 pcs. 5-600  
 4 pcs. 6-1100  
 3 pcs. 8-2000  
 2 pcs. CarryLite 80-15  
 1 pcs. Bin  
 2 pcs. Perforated panels

Total weight: 79,6 kg

Total EAN: 182690

