



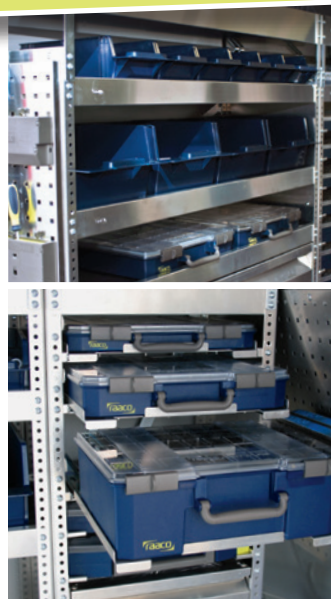
MERCEDES VITO L1

raaco van equipment is Danish first class quality and design!

raaco van equipment is made of lightweight aluminium and is built up from a variety of flexible modules, which are easily installed in the van. You can choose between raaco standard modules or a customized solution, which is made to suit your exact needs.

A wide range of bins and assortment boxes are available for each module, made from robust, high grade plastic. The system gives you a quick overview and direct access to the contents, so you can work effectively throughout the day.

With raaco van equipment you get a robust, durable solution for your mobile workplace.



MODEL AS27 – alternative

- Content: 6 pcs. 4-800
- 5 pcs. 5-600
- 4 pcs. 6-1100
- 9 pcs. 8-2000
- 3 pcs. Bins
- 3 pcs. Perforated panels

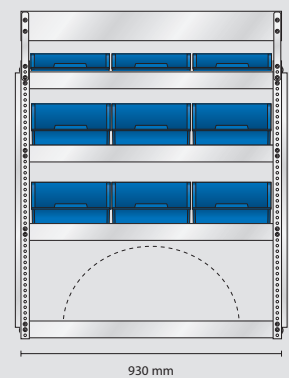
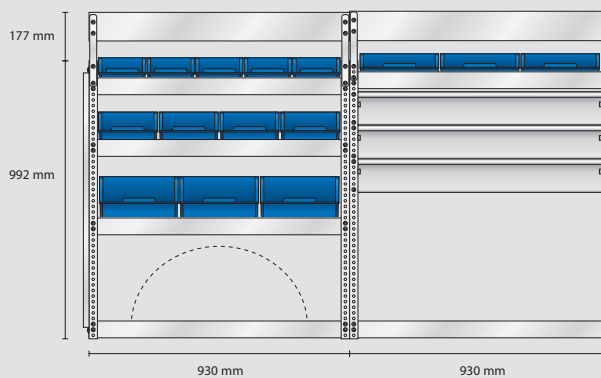
Total weight: 84,2 kg

Total EAN: 182652

S189 weight 26,2 kg

S39 weight 30,3 kg

S40 weight 28 kg



MODEL AS28 – alternative

- Content: 3 pcs. Perforated panels

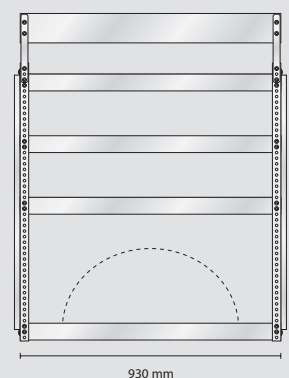
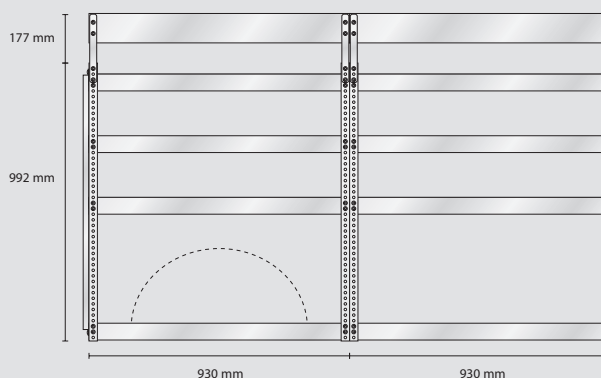
Total weight: 56,1 kg

Total EAN: 182669

S190 weight 18,8 kg

S126 weight 17,4 kg

S127 weight 20,2 kg



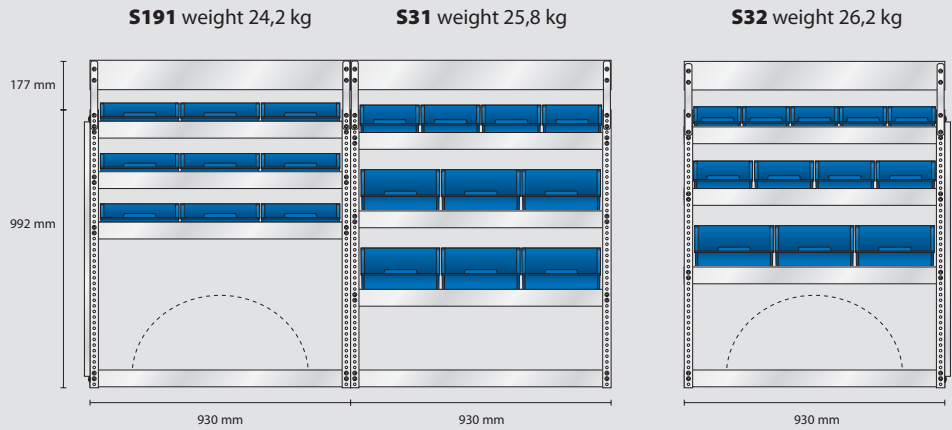
MERCEDES VITO L1

MODEL SS14 – standard

Content: 9 pcs. 4-800
 5 pcs. 5-600
 8 pcs. 6-1100
 9 pcs. 8-2000
 2 pcs. Perforated panels

Total weight: 75,9 kg

Total EAN: 182676

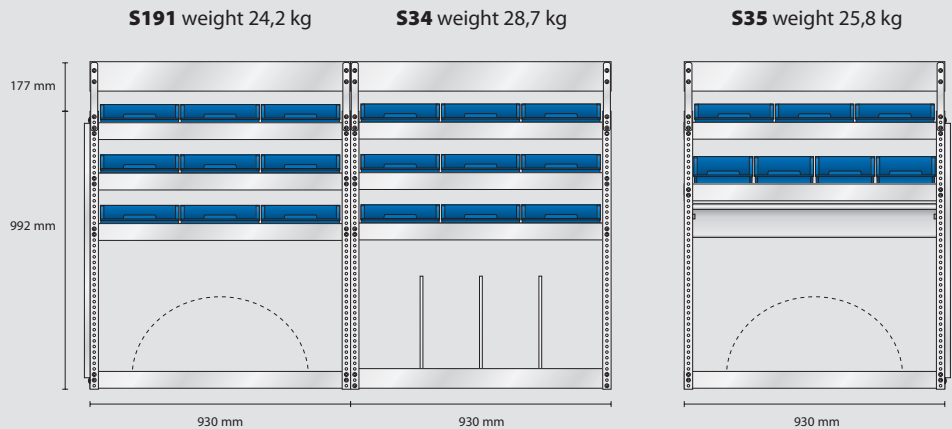


MODEL ES14 – electrician

Content: 21 pcs. 4-800
 4 pcs. 6-1100
 1 pcs. Skuffe
 2 pcs. Perforated panels

Total weight: 78,4 kg

Total EAN: 182683



MODEL VS14 – plumber

Content: 15 pcs. 4-800
 5 pcs. 5-600
 4 pcs. 6-1100
 3 pcs. 8-2000
 2 pcs. CarryLite 80-15
 1 pcs. Skuffe
 2 pcs. Perforated panels

Total weight: 79,6 kg

Total EAN: 182690

