



MERCEDES SPRINTER L2H1

raaco van equipment is Danish first class quality and design!

raaco van equipment is made of lightweight aluminium and is built up from a variety of flexible modules, which are easily installed in the van. You can choose between raaco standard modules or a customized solution, which is made to suit your exact needs.

A wide range of bins and assortment boxes are available for each module, made from robust, high grade plastic. The system gives you a quick overview and direct access to the contents, so you can work effectively throughout the day.

With raaco van equipment you get a robust, durable solution for your mobile workplace.



MODEL AS23 – alternative

- Content: 10 pcs. 4-800
- 32 pcs. 5-600
- 24 pcs. 6-1100
- 10 pcs. 8-2000
- 3 pcs. Perforated panels

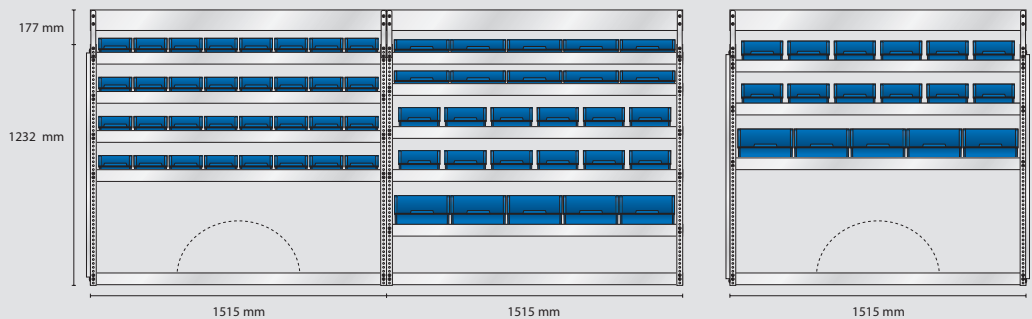
Total weight: 133,2 kg

Total EAN: 182584

S91 weight 42,9 kg

S100 weight 50 kg

S145 weight 40,6 kg



MODEL AS24 – alternative

- Content: 3 pcs. Perforated panels

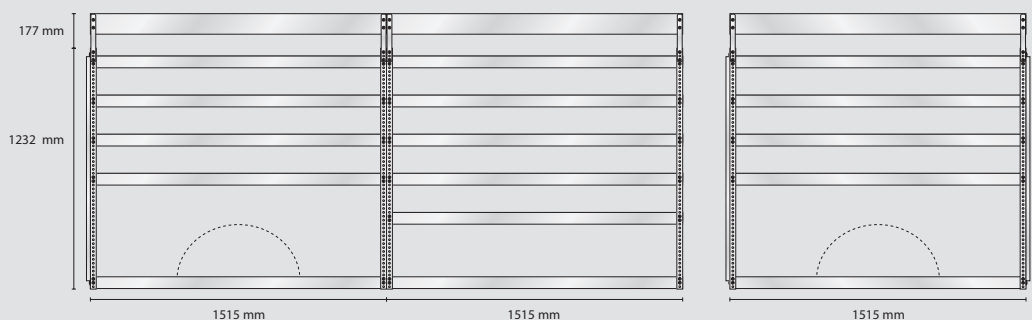
Total weight: 93,5 kg

Total EAN: 182591

S101 weight 30,1 kg

S102 weight 31,8 kg

S103 weight 31,9 kg



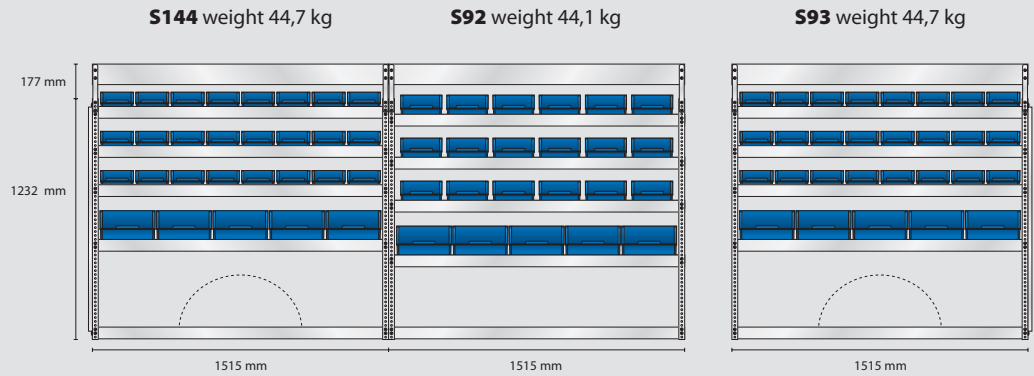
MERCEDES SPRINTER L2H1

MODEL SS12 – standard

Content: 48 pcs. 5-600
 18 pcs. 6-1100
 15 pcs. 8-2000
 2 pcs. Perforated panels

Total weight: 133,2 kg

Total EAN: 182553

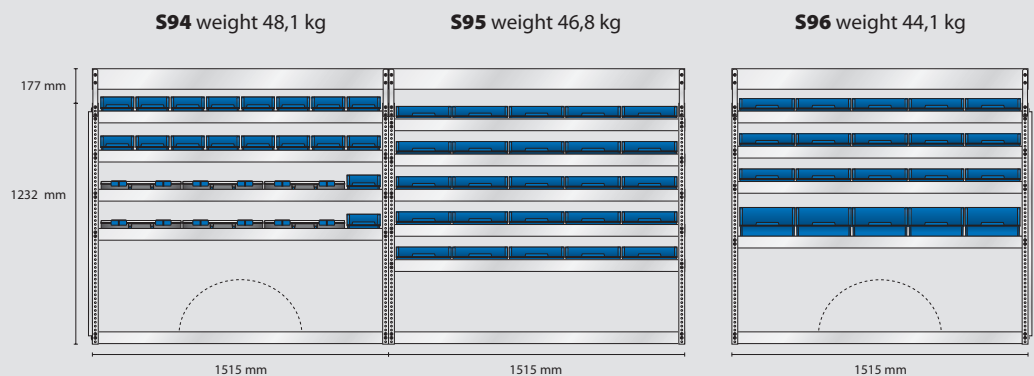


MODEL ES12 – elektriker

Content: 40 pcs. 4-800
 18 pcs. 5-600
 5 pcs. 8-2000
 6 pcs. CarryLite 80-15
 2 pcs. Perforated panels

Total weight: 138,7 kg

Total EAN: 182560



MODEL VS12 – vvs

Content: 50 pcs. 4-800
 2 pcs. 5-600
 5 pcs. 8-2000
 6 pcs. CarryLite 80-15
 2 pcs. Perforated panels

Total weight: 138,3 kg

Total EAN: 182577

