



FORD CUSTOM L2H2

raaco van equipment is Danish first class quality and design!

raaco van equipment is made of lightweight aluminium and is built up from a variety of flexible modules, which are easily installed in the van. You can choose between raaco standard modules or a customized solution, which is made to suit your exact needs.

A wide range of bins and assortment boxes are available for each module, made from robust, high grade plastic. The system gives you a quick overview and direct access to the contents, so you can work effectively throughout the day.

With raaco van equipment you get a robust, durable solution for your mobile workplace.



MODEL AS19 – alternative

- Content: 12 pcs. 4-800
- 24 pcs. 5-600
- 12 pcs. 8-2000
- 4 pcs. Bins
- 3 pcs. Perforated panels

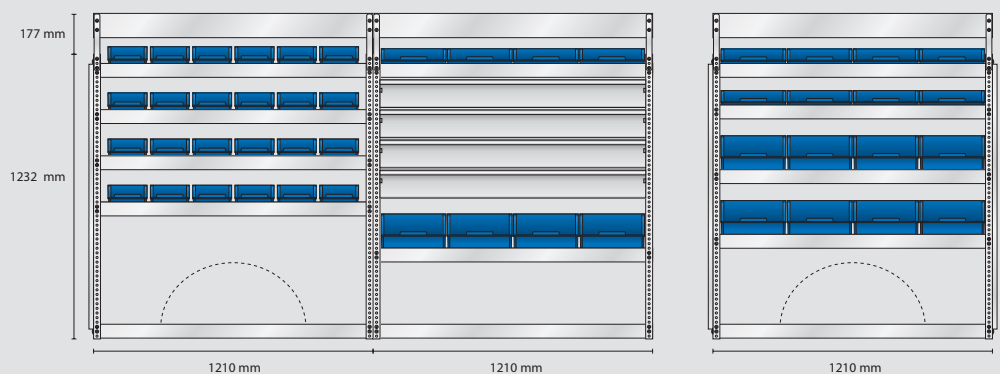
Total weight: 124 kg

Total EAN: 182485

S63 weight 36,1 kg

S121 weight 47,1 kg

S140 weight 41,4 kg



MODEL AS20 – alternative

- Content: 3 pcs. Perforated panels

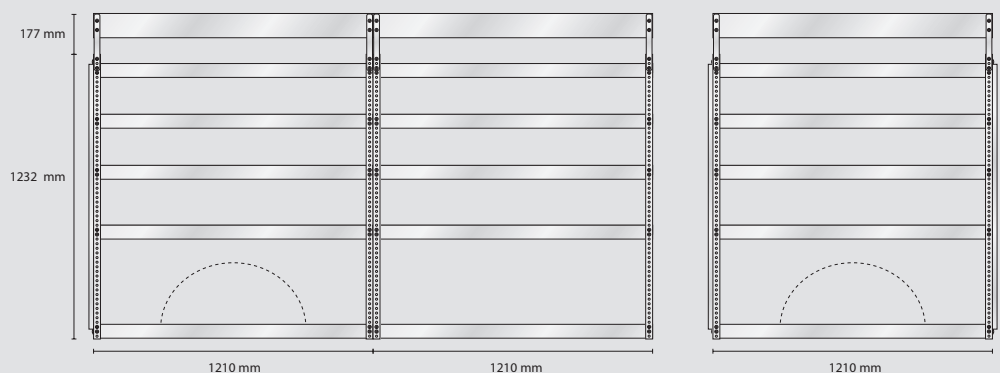
Total weight: 79,2 kg

Total EAN: 182492

S64 weight 26,5 kg

S141 weight 24,7 kg

S122 weight 28,3 kg



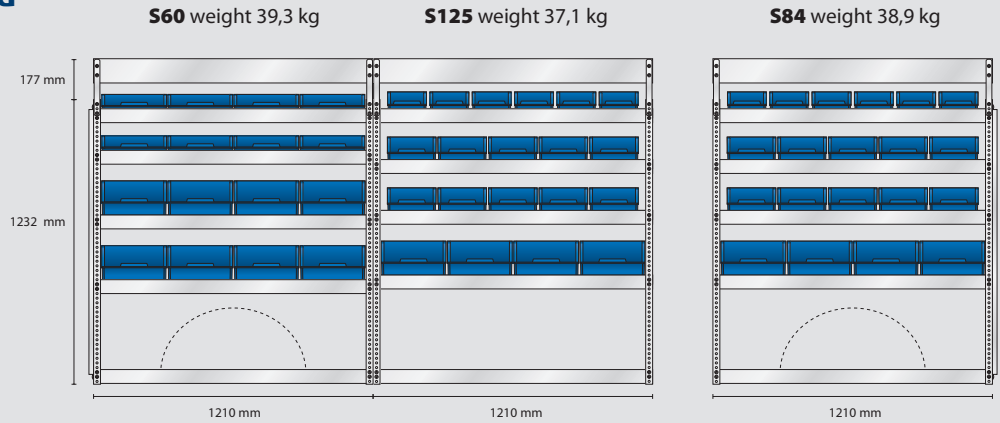
FORD CUSTOM L2H2

MODEL SS10 – standard

Content: 8 pcs. 4-800
 12 pcs. 5-600
 20 pcs. 6-1100
 16 pcs. 8-2000
 2 pcs. Perforated panels

Total weight: 115 kg

Total EAN: 182454

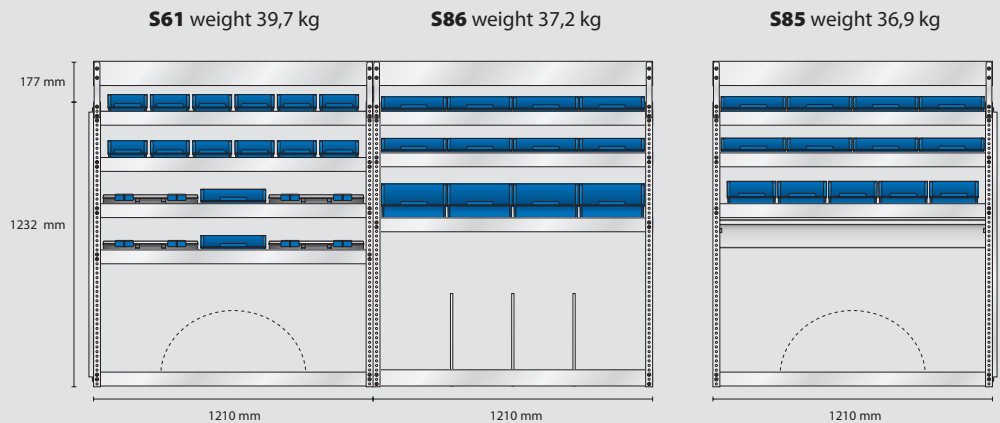


MODEL ES10 – electrician

Content: 18 pcs. 4-800
 12 pcs. 5-600
 5 pcs. 6-1100
 4 pcs. 8-2000
 4 pcs. CarryLite 80-15
 1 pcs. Bin
 2 pcs. Perforated panels

Total weight: 113,5 kg

Total EAN: 182461



MODEL VS10 – plumber

Content: 38 pcs. 4-800
 5 pcs. 6-1100
 4 pcs. CarryLite 80-15
 1 pcs. Bin
 2 pcs. Perforated panels

Total weight: 115,8 kg

Total EAN: 182478

